

Spare Part Order BR 133-2 to 139-2

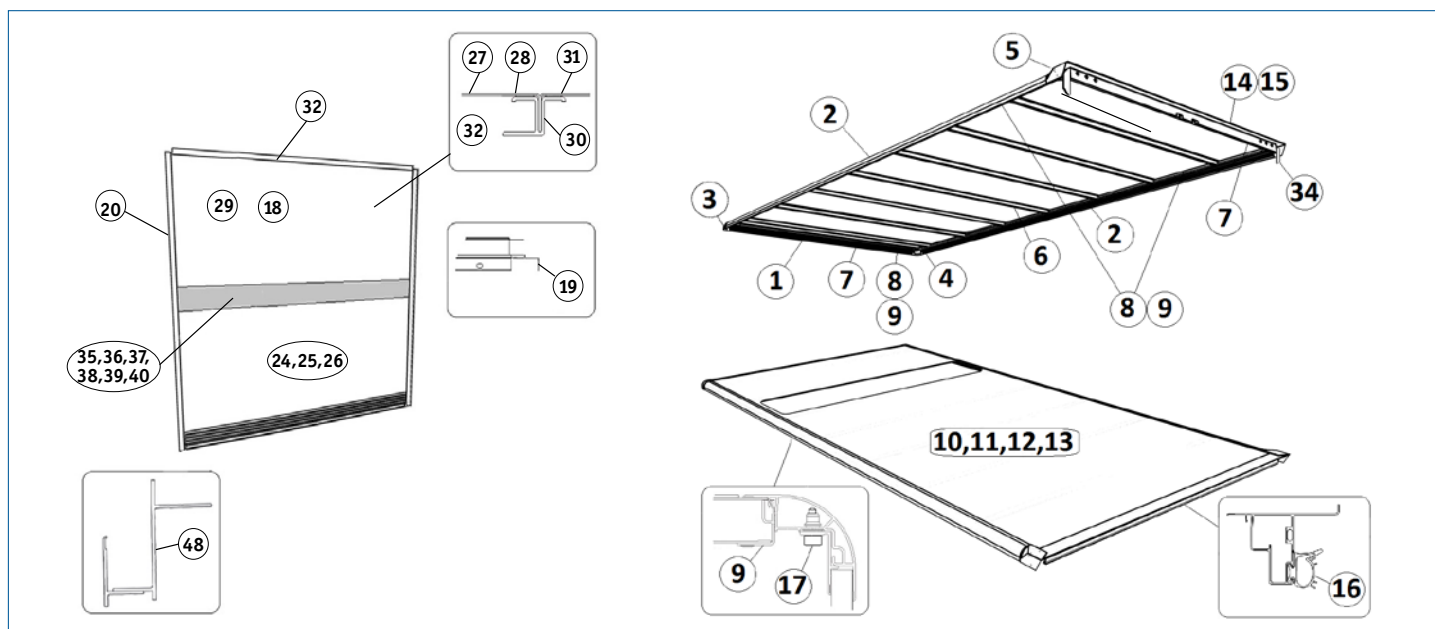


body no. _____

(label in the rear frame inside top right in driving direction - State: 03/2025, errors excepted)

Pos.	Article no.	Designation	133-2	136-2	137-2	138-2	139-2	Unit	Volume
Roof									
1	PA130025	roof strap front transverse (available in RAL 9010 or MB 9147)	x	x	x	x	x	3m	
2	PA130025	roof strap left and right (available in RAL 9010 or MB 9147)	x	x	x	x	x	3m	
3	MA100061.L/R	roof cowl front outside left and right	x	x	x	x	x	Piece	
4	KS320151	gusset plate front left and right for sheet metal / GRP roof	x	x	x	x	x	Piece	
5	MA100060	rear roof corner	x	x	x	x	x	Piece	
150	MA100068	roof inner corner front for 14/31mm walls	x	x	x	x	x	Piece	
151	MA100069.R	roof inner corner rear right for 14/31mm walls	x	x	x	x	x	Piece	
152	MA100069.L	roof inner corner rear left for 14/31mm walls	x	x	x	x	x	Piece	
6	KS040017	roof bow 2,208 alternatively 2,068mm for sheet metal or GRP roof	x	x	x	x	x	Piece	
7	KA320005	C-profile for frame roofs	x	x	x	x	x	Piece	
8	PA210024	counter-angle for sandwich roof right/left	x	x	x	x	x	3 m	
9	PA210025	counter-angle for frame roof right/left	x	x	x	x	x	3 m	
10	without no.	roof panel steel-sandwich 31 mm, order-related	x	x	x	x	x	m ²	
11	without no.	roof panel GRP-sandwich 31 mm, order-related	x	x	x	x	x	m ²	
12	MA450082	roofing membrane GRP white translucent, order-related	x	x	x	x	x	m ²	
13	MA450075	roofing membrane GRP with light stripes, order-related	x	x	x	x	x	m ²	
14	PA250015	rear frame cross member without seal	x	x	x	x	x	Piece	
15	PA250014	rear frame cross member with seal	x	x	x	x	x	Piece	
16	MA300062	seal for tail lift	x	x	x	x	x	running m	
17	MD100224	assembly screw M 6 x 21.5 self-locking, geomet-coated	x	x	x	x	x	Piece	
34	MA430124	rear frame gusset right and left	x	x	x	x	x	Piece	

Front wall									
18-20	PA210023	inner angle at the front top(18) and at the front right and left (19)	x	x	x	x	x	3m	
21	PA210028	bottom chord (available in RAL 9010 or MB 9147)	x	x	x	x	x	3m	
22	PA210029	base scuff rail	x	x	x	x	x	3m	
23	KS500000300015110	base scuff rail for plywood inner lining	x	x				running m	
24	without no.	panel steel-sandwich 31 mm, order-related	x					m ²	
25	without no.	panel GRP-sandwich 31 mm with reinforcement every 300 mm, order-related				x		m ²	
26	without no.	14 mm plywood panel, order-related					x	m ²	
27	LC100212-2360	clamping plate 600 mm primed, 2,367 mm long			x			Piece	
28	LC100212-2667	clamping plate 600 mm primed, 2,667 mm long			x			Piece	
29	without no.	GRP top layer 3 mm		x				m ²	
30	PA020010	clamping pillar 28 mm (available in RAL 9010 or MB 9147)		x	x			3m	
31	MA300092	adhesive tape black		x	x			tape roll	
32	MA330017	foam strip		x	x			running m	
33	MA150050	bottom chord connection	x	x	x	x	x	Piece	
35	MA280063	lashing rails - embedded 1,200 mm long, 9 mm bar, for Alu-clamp panel		x	x			Piece	
36	MA280129/MA280139	lashing rails - embedded Alu. for FerroFoam®-panel (3,000 mm long)	x			x		Piece	
37	MA280082	lashing rail on mounted (3,000 mm long)					x	Piece	
38	MA280107	heavy duty cargo tracks – surface mounted, bonded	x	x	x	x	x	Piece	
39	MA280108	heavy duty cargo tracks – surface mounted, riveted every 50 mm	x			x		Piece	
40	MA280137	heavy duty cargo tracks – embedded, glued & riveted (3,000 mm long)	x			x		Piece	
44	PA140026	additional scuff rail 165 mm	x	x	x	x	x	3m	
89	PA210026	airline tracks - embedded	x		x			3m	



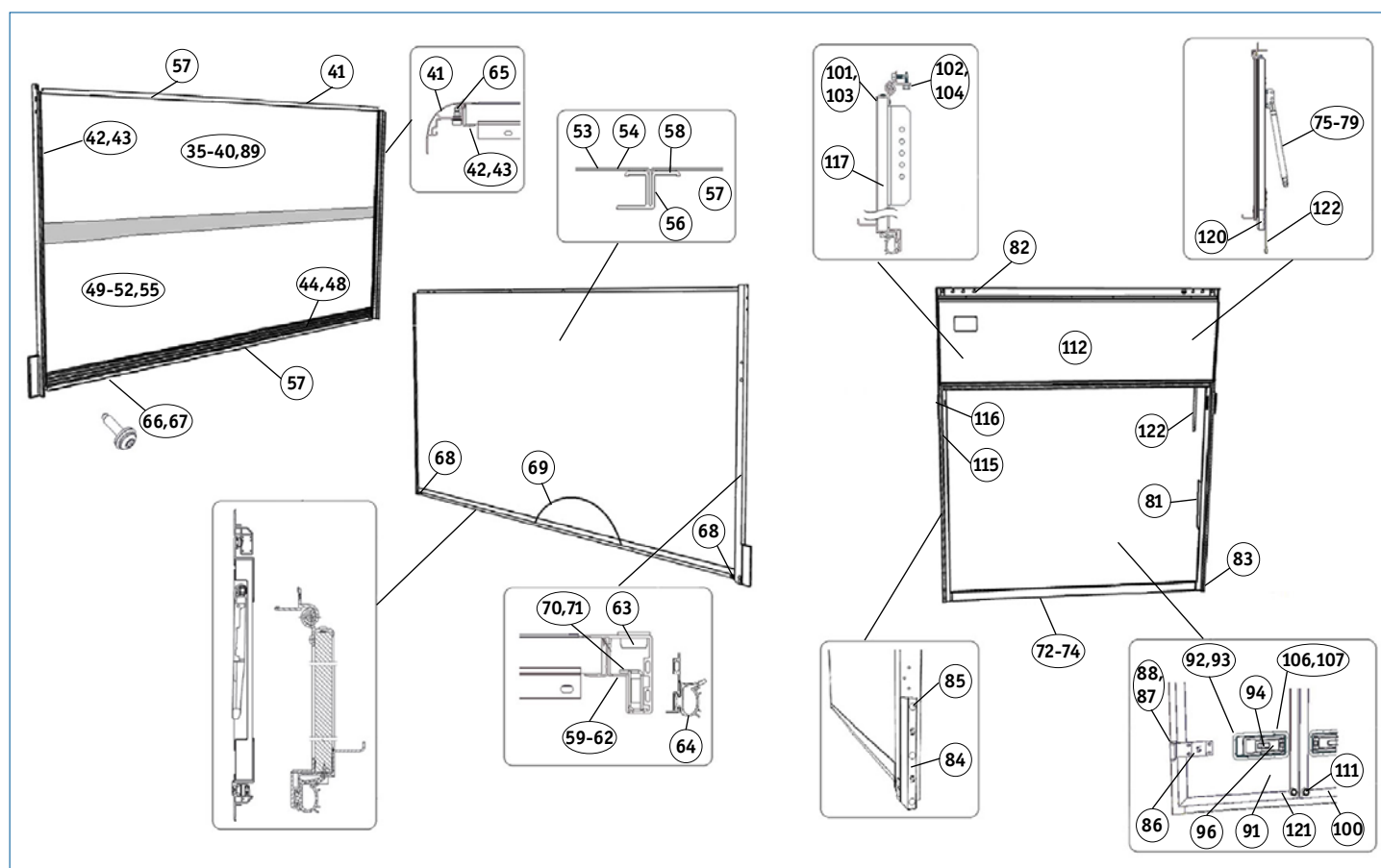
Spare Part Order BR 133-2 to 139-2



body no. _____

(label in the rear frame inside top right in driving direction - State: 03/2025, errors excepted)

Pos.	Article no.	Designation	133-2	136-2	137-2	138-2	139-2	Unit	Volume
Side walls									
35	MA280063	lashing rails - embed. 1,200 mm long, 9 mm bar, f. Alu-clamp panel		x	x			Piece	
36	MA280129/MA280139	lashing rails - embed. Alu. for FerroFoam®-panel (3.000 mm long)	x			x		Piece	
37	MA280082	lashing rails - surface mounted 3,000 mm long					x	Piece	
38	MA280107	heavy duty cargo tracks – surface mounted, bonded	x	x	x	x	x	Piece	
39	MA280108	heavy duty cargo tracks – surface mounted, riveted every 50 mm	x			x		Piece	
40	MA280137	heavy duty cargo tracks – embedded, glued & riveted (3,000 mm long)	x			x		Piece	
41	PA210023	inner angle at the front top(18) and at the front right and left (19)	x	x	x	x	x	3 m	
42	PA210024	counter-angle front / rear	x	x	x	x		3 m	
43	PA210015	counter-angle front / rear					x	3 m	
45	PA130025	front wall corner column	x		x	x	x	3 m	
46	PA210028	bottom chord (available in RAL 9010 or MB 9147)	x	x	x	x		3 m	
47	PA210029	base scuff rail	x	x	x	x	x	3 m	
48	KS50000300015110	base scuff rail for plywood inner lining	x	x				running m	
49	without no.	panel steel-sandwich 31 mm, order-related	x					m ²	
50	without no.	panel GRP-sandwich 31 mm with reinforcement every 300 mm, order-related				x		m ²	
51	without no.	panel GRP-sandwich 31 mm, order-related				x		m ²	
52	without no.	14 mm plywood panel, order-related					x	m ²	
53	LC100212-2360	clamping plate 600 mm primed, 2,367 mm long			x			Piece	
54	LC100212-2667	clamping plate 600 mm primed, 2,667 mm long			x			Piece	
55	without no.	GRP top layer 3 mm		x				m ²	
56	PA020010	clamping pillar 28 mm (available in RAL 9010 or MB 9147)		x	x			running m	
57	MA330017	foam strip		x	x			running m	
58	MA300092	adhesive tape black		x	x			running m	
59/60	PA130027	rear frame pillar right (59) / left (60) without channel for tail lift seal	x	x	x	x	x	Piece	
61/62	PA130026	rear frame pillar right (61) / left (62) with channel for tail lift seal	x	x	x	x	x	Piece	
63	MA150001	plastic plug for screwed connection bores in the frame columns	x	x	x	x	x	Piece	
64	MA300062	tail lift seal for rear frame column	x	x	x	x	x	running m	
65	MD100224	assembly screw M 6 x 21.5 self-locking, geomet-coated (cylinder head)	x	x	x	x	x	Piece	
66	MD100318	assembly screw 6 x 25 TX30 with lens head	x	x	x	x	x	Piece	
67	MD110048	washer with neoprene seal for MD100318	x	x	x	x	x	Piece	
68	MA150050	bottom chord connection	x	x	x	x	x	Piece	
69	MA450092	wheel arch	x			x	x	Piece	
70	B7680001.R	gusset for the right-hand rear frame column	x	x	x	x	x	Piece	
71	B7680001.L	gusset for the left-hand rear frame columns	x	x	x	x	x	Piece	
89	PA210026	airline tracks - embedded	x		x			running m	



Spare Part Order BR 133-2 to 139-2



body no. _____

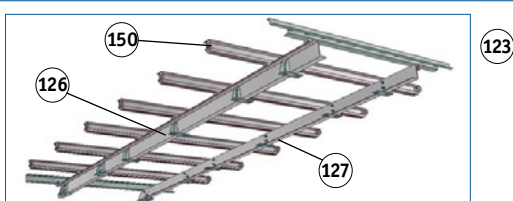
(label in the rear frame inside top right in driving direction - State: 03/2025, errors excepted)

Pos.	Article no.	Designation	133-2	136-2	137-2	138-2	139-2	Unit	Volume
Doors / Flaps / Roller Shutters									
86	MA210070	aluminium flat hinge complete for FerroFoam®-door	x	x	x	x	x	Piece	
87	MA210072.L	hinge bracket universal for the left side	x	x	x	x	x	Piece	
88	MA210072.R	hinge bracket universal for the right side	x	x	x	x	x	Piece	
90	MA300055	corner piece for door and flap seal MA300053	x	x	x	x	x	Piece	
91	MA200351	spring bolt for door leaf bottom left	x	x	x	x	x	Piece	
92	MA200288	fastener with recessed grip / handle completely stainless steel	x	x	x	x	x	Piece	
93	MA200290	fastener with recessed grip / handle completely galvanized	x	x	x	x	x	Piece	
94	MA200287	lock cylinder for MA200289 / MA200290 key number?	x	x	x	x	x	Piece	
51	MA200225	Underlayer for MA200288 / MA200290	x	x	x	x	x	Piece	
96	MA200213	handle return spring for MA200289 / MA200290	x	x	x	x	x	Piece	
97	MA200116	latch hook top right/bottom left for MA200289 / MA200290	x	x	x	x	x	Piece	
98	MA200117	latch hook right bottom/left top for MA200289 / MA200290	x	x	x	x	x	Piece	
99	MA300061	seal for side door - on side of the hinge-joint	x	x	x	x	x	running m	
100	MA300053	seal for side door and rear frame doors	x	x	x	x	x	running m	
101	PA110004	aluminium rod hinge on tail-lift flap 2,500 mm, for PA110010 (FerroFoam®-flap)	x	x	x	x	x	Piece	
102	PA110010	aluminium rod hinge on top of rear frame cross member 2,500 mm, for PA110004	x	x	x	x	x	Piece	
103	PA110019	aluminium rod hinge on tail-lift flap 2,500 mm, for PA110018 (plywood-flap)	x	x	x	x	x	Piece	
104	PA110018	aluminium rod hinge on top of rear frame cross member 2,500 mm, for PA110019	x	x	x	x	x	Piece	
105	ohne Nr.	side door frame aluminium, order-related	x	x	x	x	x	Piece	
106	PS000006	pipe (rotary shaft) 16 mm stainless steel	x	x	x	x	x	3m	
107	PS000167	pipe (rotary shaft) 16 mm galvanized	x	x	x	x	x	3m	
108	ohne Nr.	roller shutter: order-related	x	x	x	x	x	Piece	
109	ohne Nr.	rear door complete right hand side, order-related	x	x	x	x	x	Piece	
110	ohne Nr.	rear door complete left hand side, order-related	x	x	x	x	x	Piece	
111	MA150048	rubber bumper for rear and side doors incl. screw MD100224	x	x	x	x	x	Piece	
112	ohne Nr.	tail-lift flap complete, order-related	x	x	x	x	x	Piece	
113	ohne Nr.	side door, order-related	x	x	x	x	x	Piece	
114	ohne Nr.	side door hinge-joint, order-related	x	x	x	x	x	Piece	
115	KS330105	inserter and threaded plate (MA200360)	x	x	x	x	x	Piece	
116	MA150010	lifting platform stop and screws MD100089	x	x	x	x	x	Piece	
117	PA070025	frame profile lateral, right and left for FerroFoam® tail-lift flap	x	x	x	x	x	3m	
118	PA070027	lower stop rail for FerroFoam® tail-lift flap	x	x	x	x	x	3m	
119	PA070025	door frame profile top and bottom, right and left for FerroFoam® rear door	x	x	x	x	x	3m	
120	PA070027	stop rail for FerroFoam® rear door	x	x	x	x	x	3m	
121	MA300001	seal for stop rail	x	x	x	x	x	running m	
122	MA150033	pull strap for tail-lift flap	x	x	x	x	x	Piece	

Pos.	Article no.	Designation (all units in pieces)	Volume
Rear Frame			
72	ohne Nr.	bottom rear frame cross beam, order-related	
73	ohne Nr.	bottom cross beam with bottom fold 18 mm bottom*	
74	ohne Nr.	cross beam with bottom fold 18 mm, drive-over 70 mm	
75	MA240001	gas pressure spring 150 N	
76	MA240002	gas pressure spring 250 N	
77	MA240003	gas pressure spring 350 N	
78	MA240004	gas pressure spring 500 N	
79	MA240005	gas pressure spring 750 N	

* order-related

Pos.	Article no.	Designation (all units in pieces)	Volume
Subframe/Floor			
123	ohne Nr.	Aluminium subframe komplett (order-related)	
124	ohne Nr.	Insulated floor complete (order-related)	
125	ohne Nr.	Insulated floor unprofiliert (order-related)	
126	PG510049.L	Steel longitudinal member left (order-related)	
127	PG510049.R	Steel longitudinal member right (order-related)	
130	PG210001.	Fixing bracket aluminium cross members for the floor profile incl. 2 x rivet MD150041	
131	PG510052.004	Threaded insert M12*1.75 (until 9/2019)	
132	PG510054.001	Threaded insert M12*1.75 (from 10/2019)	
150	PA510053	Aluminium cross member	



Pos.	Article no.	Designation (all units in pieces)	Volume
Rear Frame			
80	MA240024	gas pressure spring bearing	
81	MA200152	handle	
82	MD100329	flat-head screws 10x16 - con. rear frame column	
83	MD100328	cylinder-head screw 10x60 - con. rear frame	
84	MA150031	rubber bumper	
85	MD100247	fastening screws for rubber bumper	
34	MA430124	rear frame gusset right and left	

bottom fold 15, 18 or 21 mm

Pos.	Article no.	Designation (all units in pieces)	Volume
Subframe brackets for aluminium subframe			
157	VS100068	MB Sprinter / VW Crafter 3,5 t u. 5 t	
158	VS100066	MB Sprinter / VW Crafter 3,5 t u. 5 t	
159	VS100067	Ford Transit / Opel Movano / Fiat Ducato / Renault Master 2010	
160	VS100071	MB Sprinter / VW Crafter 5 t / Fiat Ducato	
161	VS100046	Iveco Daily / Renault Mascott /	
162	VS100089	Renault Maxity / Nissan Cabster Iveco Daily	
163	VS100072	Opel Movano / Renault Master /	
164	VS100075	Citroen Jumper / Fiat Ducato / Fiat Ducato Maxi / Renault Master 2010	
165	VS100079	Citroen Jumper	
166	VS100080	Renault Master	



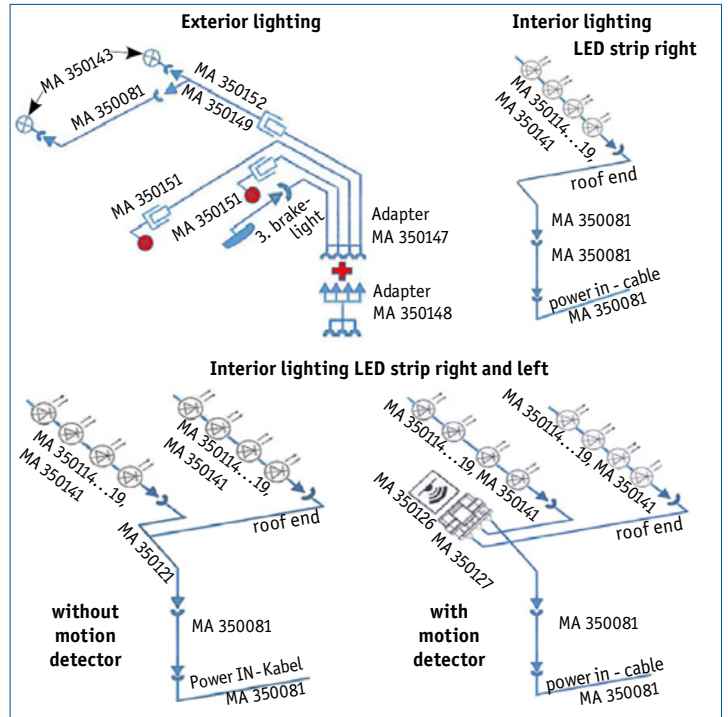
Spare Part Order BR 133-2 to 139-2



body no. _____

(label in the rear frame inside top right in driving direction - State: 03/2025, errors excepted)

Pos.	Article no.	Designation (all units in pieces)	Volume
Electrics			
152	MA350158	Adapter MB Sprinter/VW Crafter neu/ Opel Movano/ Renault Master/Citroen Jumper/ Peugeot Boxer	
153	MA350159	Adapter cable for Iveco Daily	
154	MA350168	Adapter cable for Ford Transit	
175	MA350143	LED identification light front 12 V white	
176	MA350151	LED rear marker lights front 12 V red	
177	MA350081	extension cable SuperSeal	
178	MA350149	connection cable Molex	
179	MA350152	extension cable Molex	
180	MA350097	third brake light LED	
181	MA350147	adapter cable	
182	MA350148	adapter cable in the rear frame column	
183	MA350114	LED strip 12 V; 4 m	
184	MA350115	LED strip 12 V; 5 m	
185	MA350126	motion detector for LED strip 12 V	
186	MA350127	splitter cable for 2x LED strip light	
187	MA350128	splitter cable for 1x LED strip light	
188	MA350120	power IN cable	
189	MA350121	Y-splitter cable for LED strip light without motion detector	



Designation	Nom. height	133-2	137-2	138-2	139-2
Front wall (nominal with 2.200 mm)	1.800 mm				
	1.950 mm				
	2.100 mm				
	2.250 mm				
	2.400 mm				
Rear frame (nominal with 2.200 mm)	1.800 mm				
	1.950 mm				
	2.100 mm				
	2.250 mm				
	2.400 mm				

Designation	Nom. height	133-2	137-2	138-2	139-2
Rear doors (nominal with 2.200 mm)	1.800 mm				
	1.950 mm				
	2.100 mm				
	2.250 mm				
	2.400 mm				
Site wall (nominal length 4.200 mm)	1.800 mm				
	1.950 mm				
	2.100 mm				
	2.250 mm				
	2.400 mm				

Designation	Nom. length	133-2	137-2	138-2	139-2
Roof (nominal with 2.200 mm)	3.200 mm				
	3.600 mm				
	4.000 mm				
	4.400 mm				
	4.800 mm				
Tail lift flap	order-related				