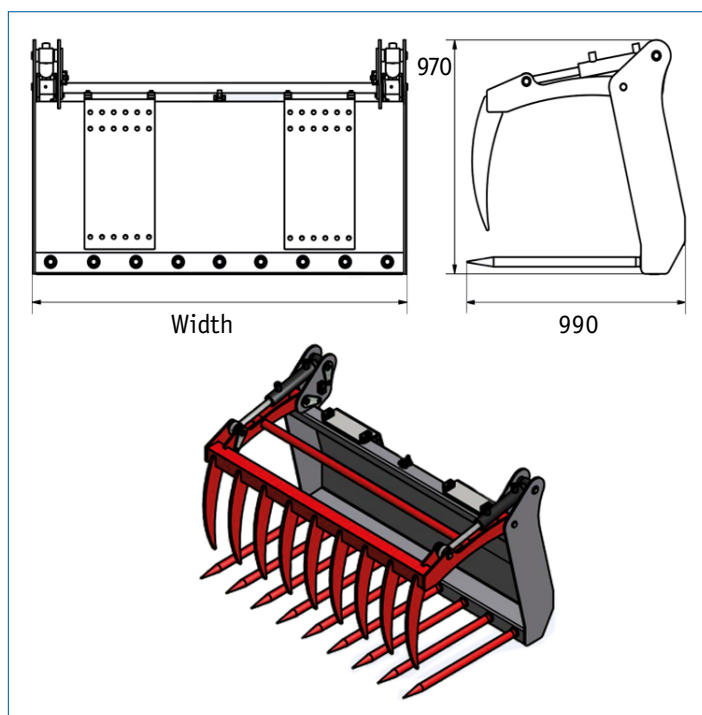


# AGRAR NEWS

An information about Schneider agricultural devices

## Forks with Grapple: Silage and more!

- > LP bracket for tractor loader, wheel loader and telehandler
- > **robust steel design** for tough use with thick-walled side plates
- > even pressure on both sides with **high-quality hydraulic cylinders**
- > **hydraulic ram, hydraulic hoses, quick connector BG3**
- > forged, bolt-on **tines 900 mm long**
- > high-quality **powder coating**
- > **wear plate** to protect the lower tines
- > **opening width of 1,150 mm**
- > perfect for grass silage



Art.-no	Width max.	Tines below	Weight
125.033.014	1.400 mm	8	220 kg
125.033.016	1.600 mm	9	250 kg
125.033.018	1.800 mm	10	280 kg
125.033.020	2.000 mm	11	310 kg
125.033.022	2.200 mm	12	340 kg

You get a universal working tool for the removal of grass and maize silage, from the manure removal and transport of loose manure, straw, green waste, yard waste ...