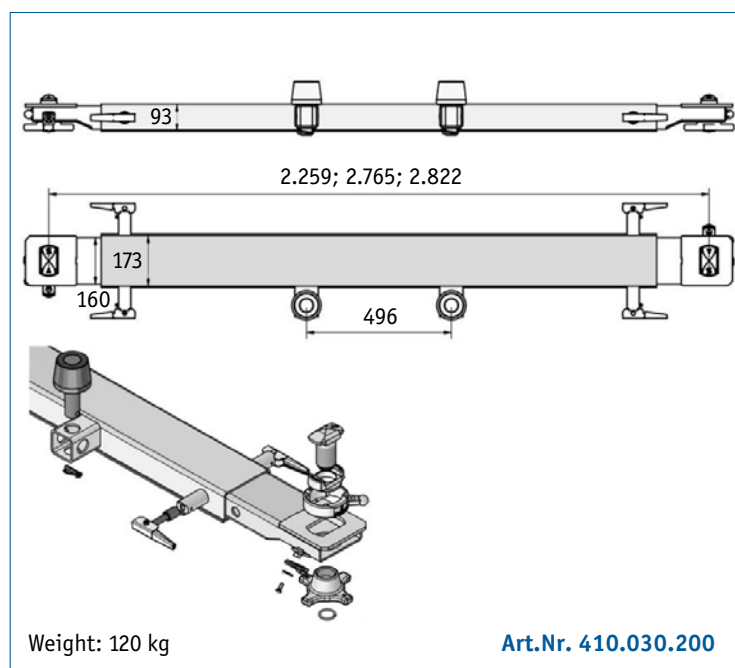
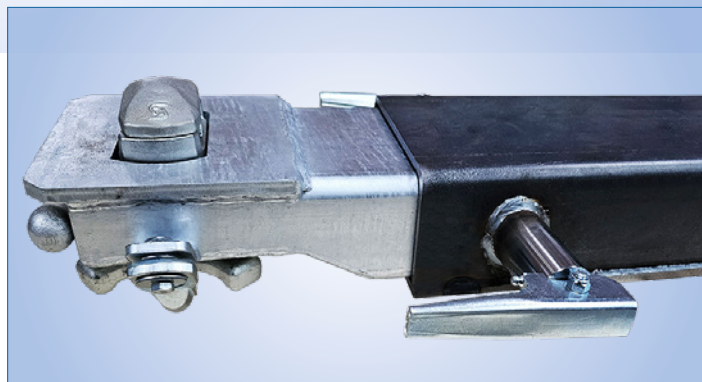


Rapid information for our customer

Swap Body Bolster: Extra wide



- > new adjustable swap body bolster
- > now also **special solutions**, e.g. for extra-wide swap bodies and office containers
- > **complete bolsters** incl. locking inner parts and two galvanised guide rollers
- > **simple operation** for the user
- > centre element raw 93 mm x 173 mm
- > **Hot-dip galvanised pull-outs with mounted locking parts** (galvanised)
- > Locking dimensions: 2.259 mm / 2.765 mm / 2.822 mm
- > Bolsters and spare parts are **available quickly**

