

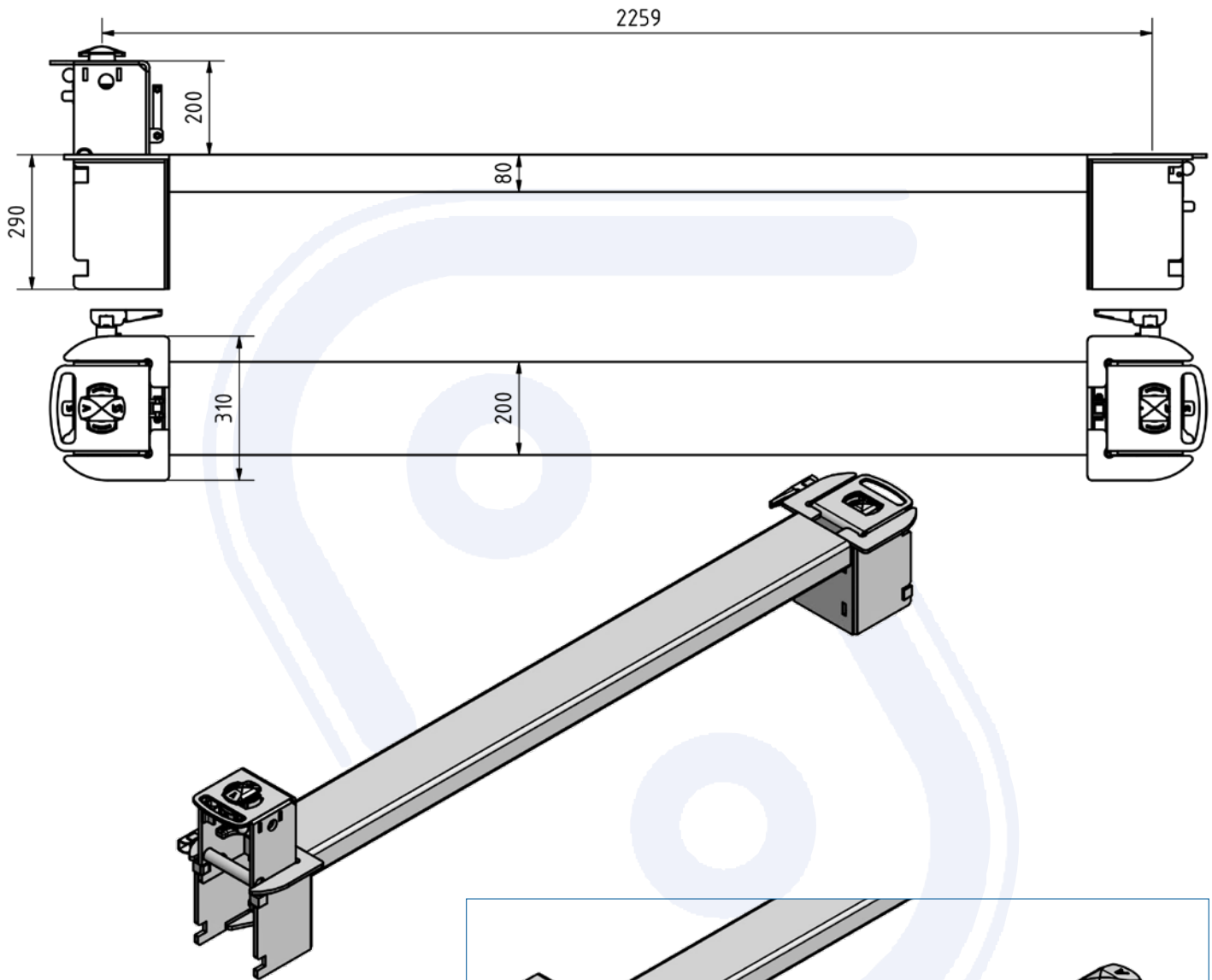
Combi-bolster high

for comfortable use

- > steel raw (not primed), inner housing hot-dip galvanized
- > height adjustment 200 mm
- > one liftlock per side
- > twist lock 290 mm high, bolster 80 mm high
- > weight 140 kg



Art.- No. 410.398.560



Pos.	Single part	Art.-No.
1	Bolster	411.398.560
2	Locking pin	906.000.276
3	Locking pin guide	906.000.273
4	Outer guide	906.000.274
5	Locking nut	906.000.275
6	Security ring	905.000.187

