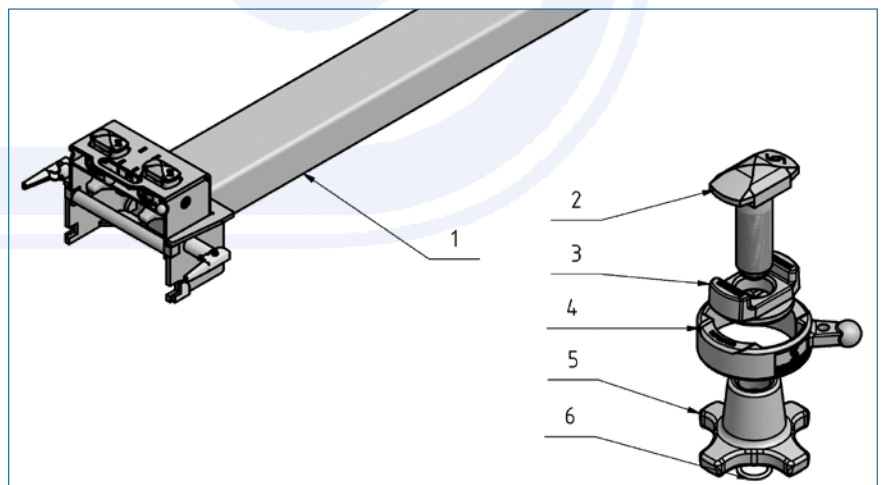
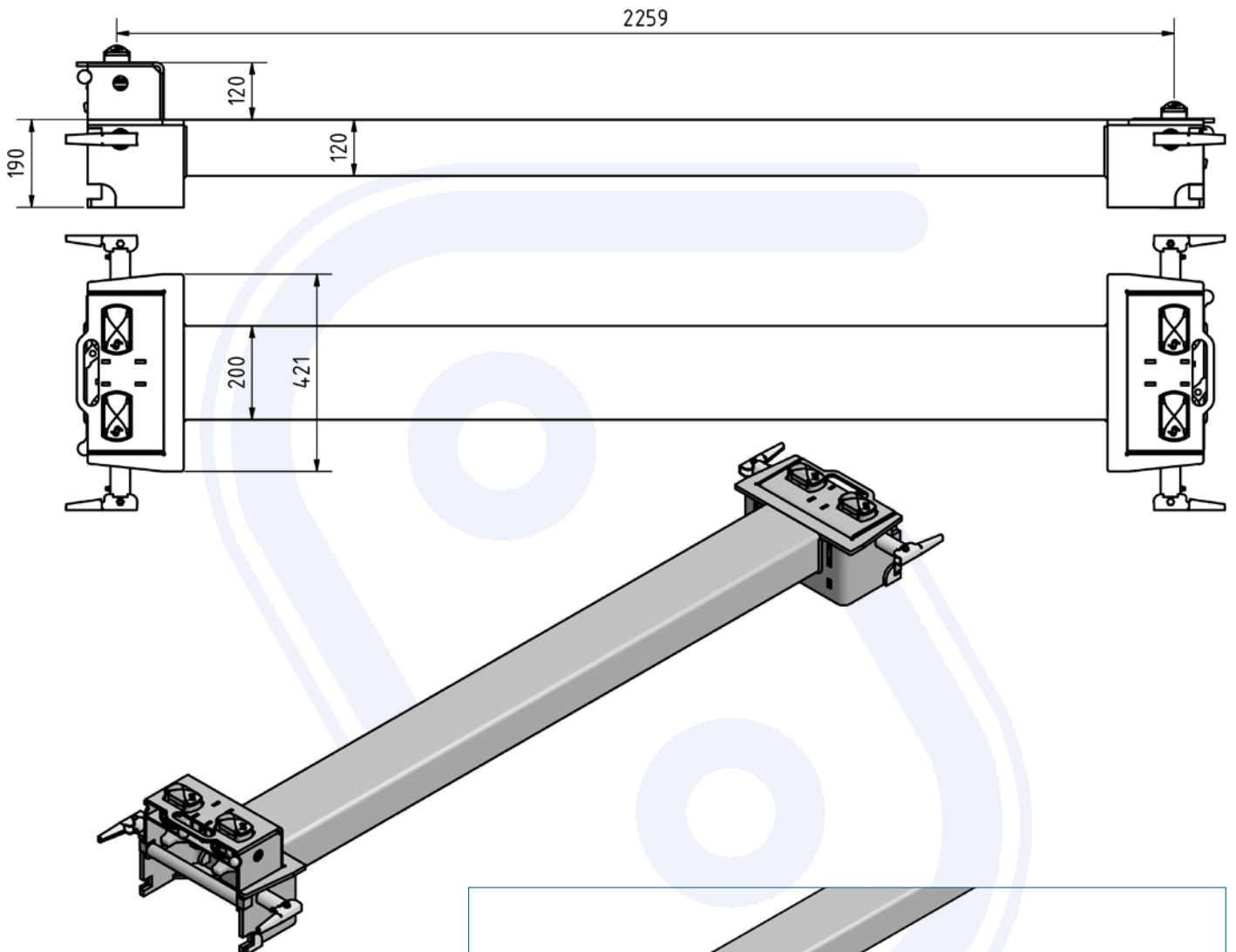


Combi-bolster flat

- > steel primed, inner housing hot-dip galvanized
- > **height adjustment 120 mm**
- > one double liftlock per side for swap bodies **C 745/782**
- > twist lock 190 mm high, bolster 120 mm high
- > weight 110 kg



Art.- No. 410.398.600



Pos.	Single part	Art.-No.
1	Bolster	411.398.600
2	Locking pin	905.237.901
3	Locking pin guide	906.000.279
4	Outer guide	906.000.274
5	Locking nut	905.000.127
6	Security ring	905.000.187