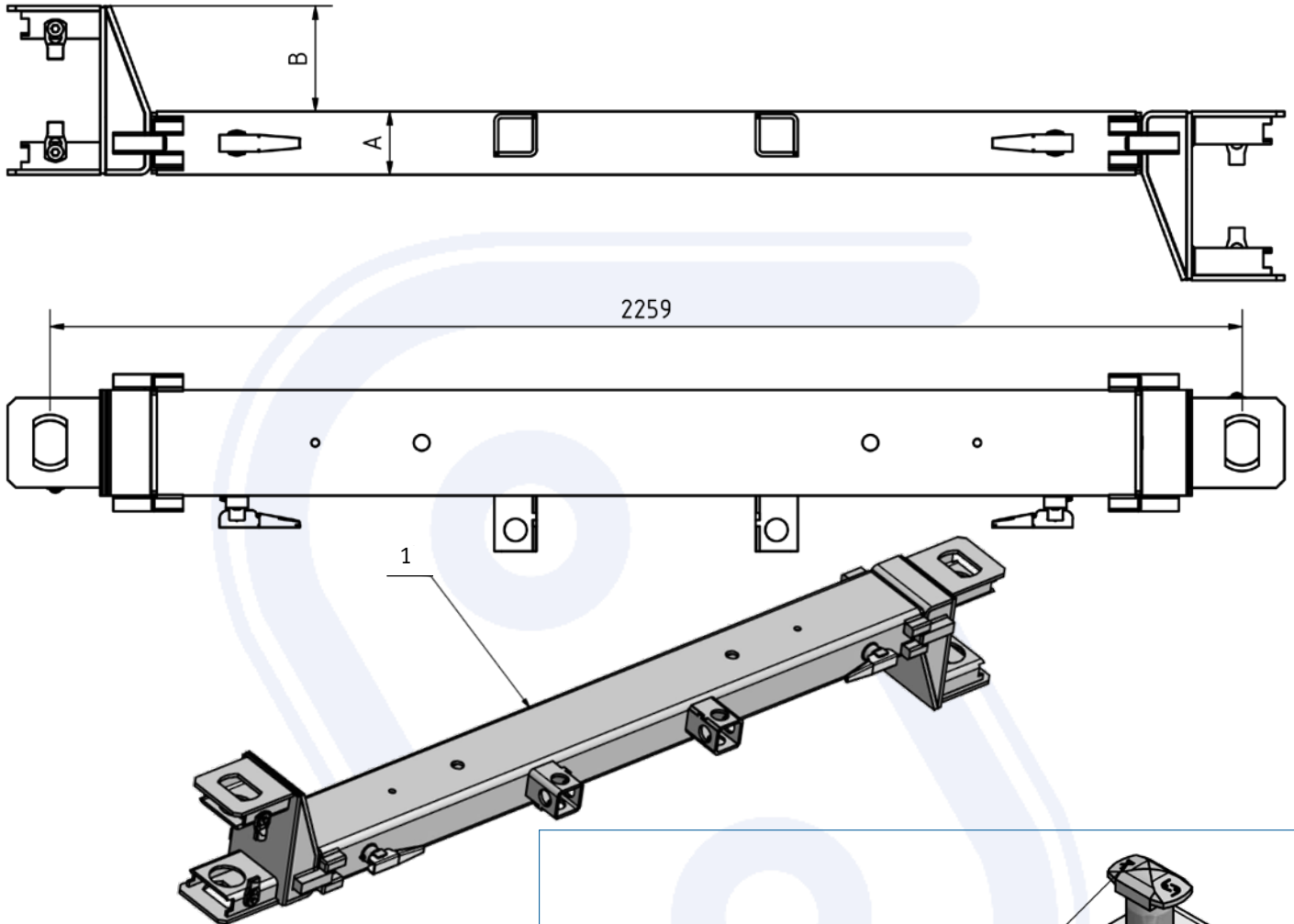


Swivelling bolster in various designs

- > steel raw
- > bolster between 80 - 200 mm high
- > ≥ 2 twist locks each side (galvanised inner parts 410.075.620), incl. empty storage
- > head high 292 mm
- > **hight adjustment (HV) as required**
- > weight on enquiry



Art.-No. on enquiry



Pos.	Single part	Art.-No.
1	Bolster swivelling	diff. versions
2	Holder f. security latch	905.159.006
3	Security latch	905.159.005
4	Washer	905.036.005
5	Screw	020.008.016
6	Guide roller /85	640.003.110
7	Holder f. guide roller	640.003.005
8	Folding pin 12x55	640.003.112
9	Locking pin	906.000.276
10	Locking pin guide	906.000.273
11	Outer guide	906.000.274
12	Locking nut	906.000.275
13	Security ring	905.000.187

