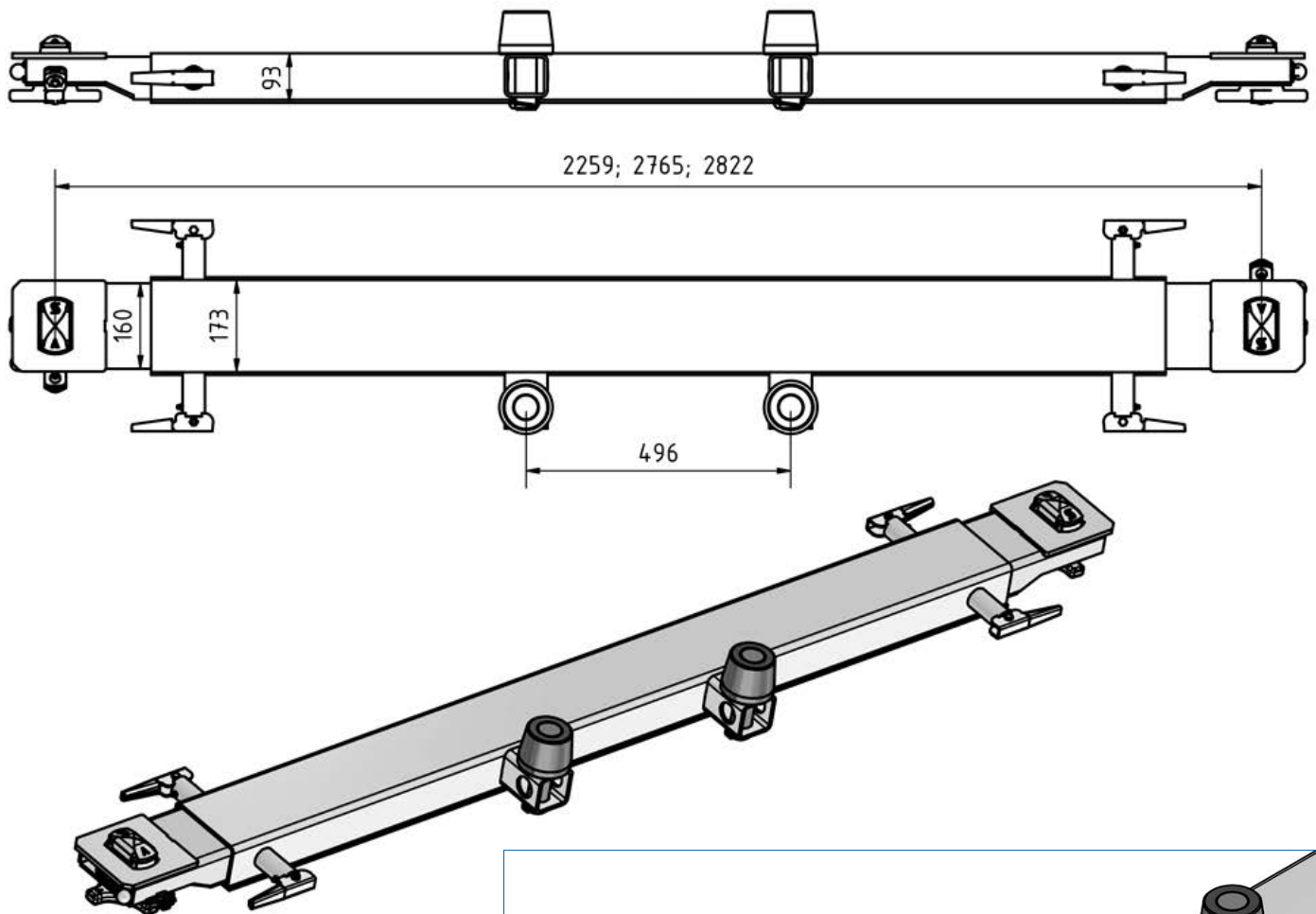


# Swap body bolster adjustable

- > steel
- > middle bolster raw 93mm x 173mm
- > **1 twist lock on each side adjustable, hot dip galvanized**
- > **with 2 galvanised guide rollers** and welded holder for guide rollers
- > **locking measurements: 2259mm / 2765mm / 2822mm**
- > weight: 120 kg



Art.-No. 410.030.200



Pos.	Single part	Art.-No.
1	Bolster	410.030.012
2	Stump	410.060.022
3	Locking pin	906.000.276
4	Locking pin guide	906.000.273
5	Outer guide	906.000.274
6	Locking nut	906.000.275
7	Security ring	905.000.187
8	Security latch	905.159.005
9	Washer	905.036.005
10	Screw	020.008.016
11	Spring Locking Bar	640.012.008
12	Guide roller/85	640.003.110
13	Folding pin 12x55	640.003.112

