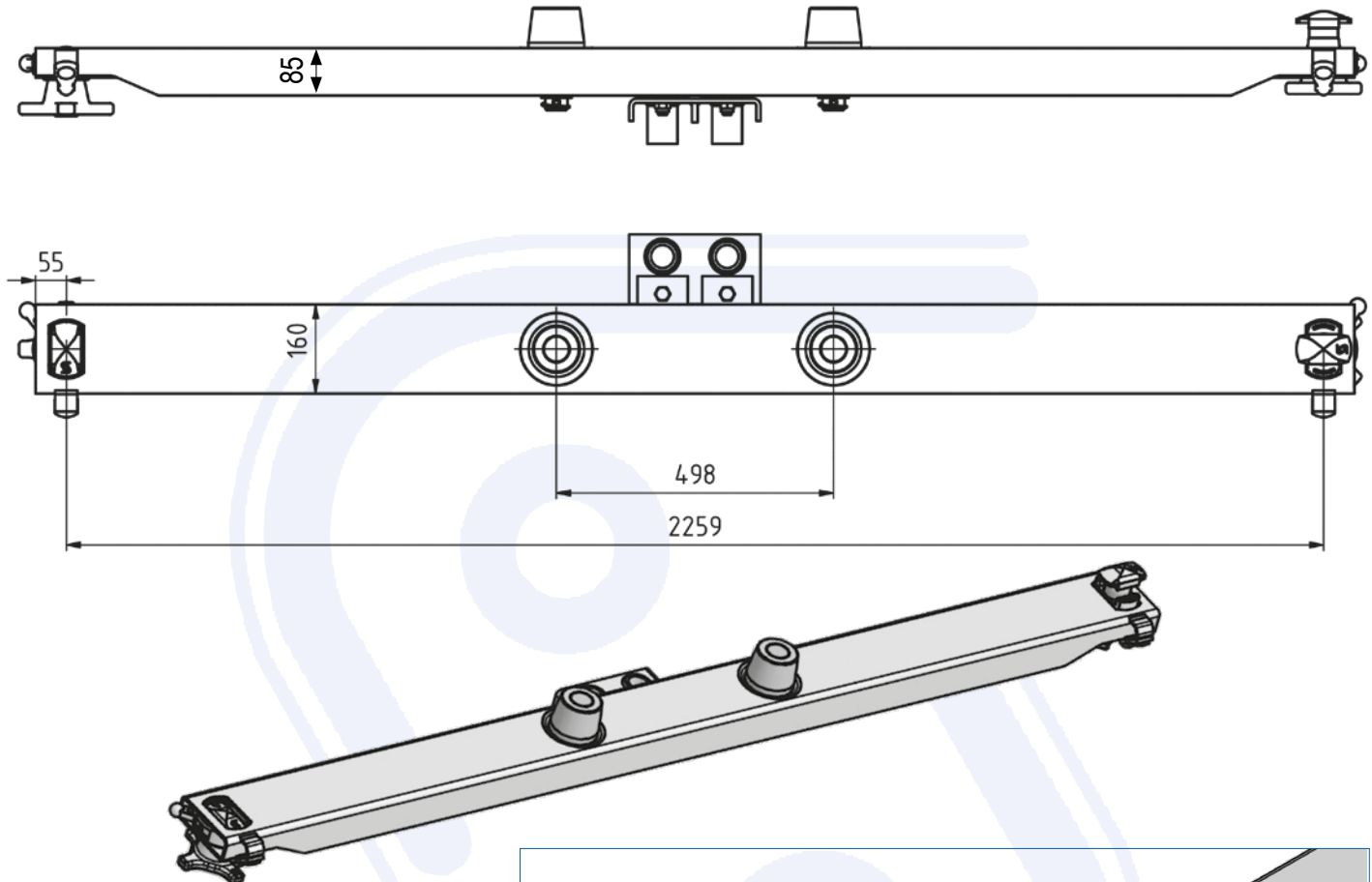


# Swap body bolster rigid 160 x 85



- > steel raw
- > 1 twist lock on each side (*galvanised inner parts 410.075.620*)
- > **with 2 galvanised guide rollers**, incl. empty storage
- > bolster 85 mm high
- > weight 88 kg

Art.-No. 410.078.500



Pos.	Single part	Art.-No.
1	Bolster	410.078.502
2	Locking pin	906.000.276
3	Locking pin guide	906.000.273
4	Outer guide	906.000.274
5	Locking nut	906.000.275
6	Security ring	905.000.187
7	Holder f. security latch	905.159.006
8	Security latch	905.159.005
9	Washer	905.036.005
10	Screw	020.008.016
11	Screw	410.088.005
12	Self-locking nut	650.011.014
13	Holder for guide roller	640.003.001
14	Guide roller /85	640.003.110
15	Folding pin 12x55	640.003.112

