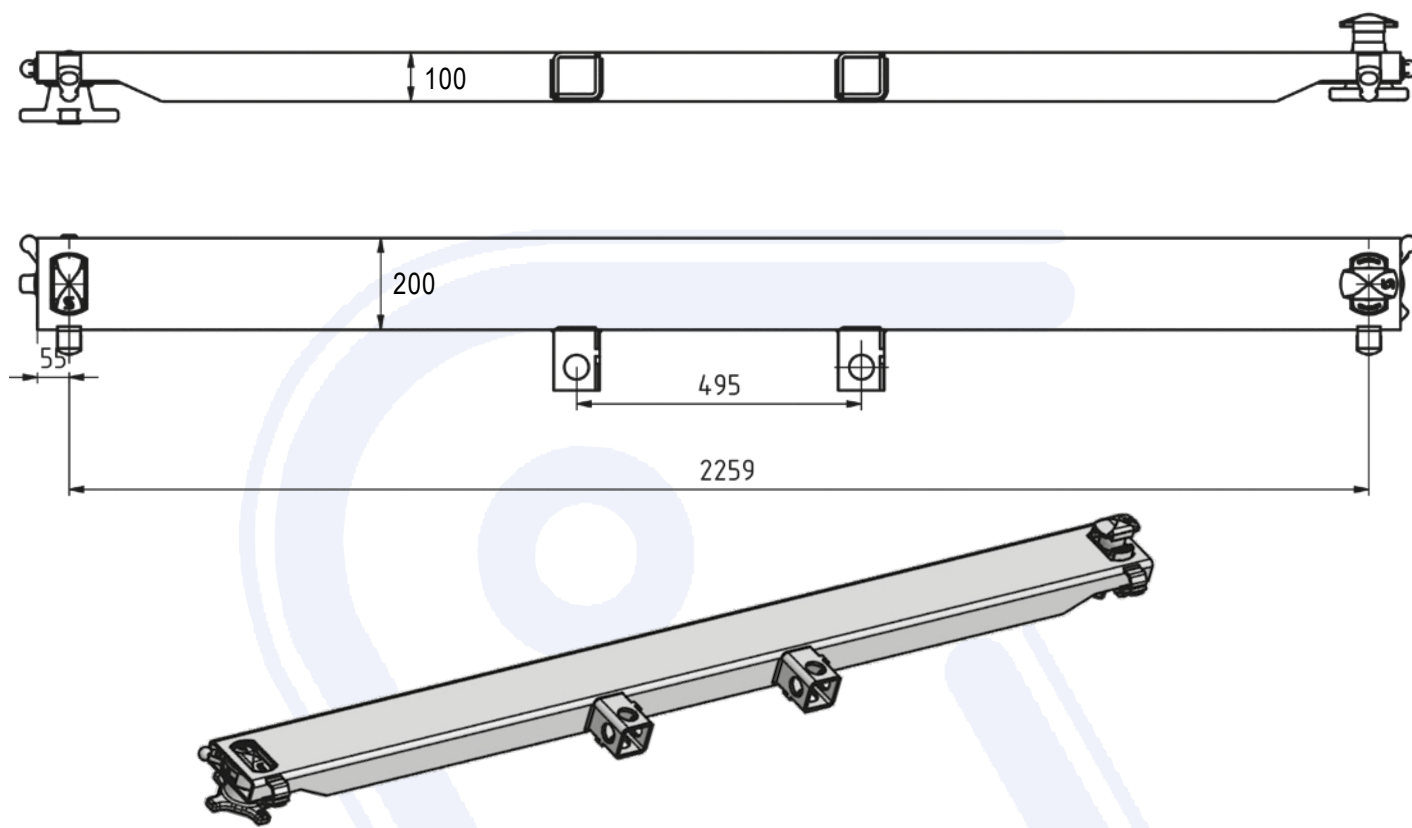


# Swap body bolster rigid 200 x 100

- > steel raw
- > 1 twist lock on each side (*galvanised inner parts 410.075.620*)
- > **with 2 galvanised guide rollers**
- > with welded holder for guide rollers
- > bolster 100 mm high
- > weight 88 kg



**Art.-No. 410.088.200**



Pos.	Single part	Art.-No.
1	Bolster	410.080.202
2	Locking pin	906.000.276
3	Locking pin guide	906.000.273
4	Outer guide	906.000.274
5	Locking nut	906.000.275
6	Security ring	905.000.187
7	Security latch	905.159.035
8	Holder f. guide roller	640.003.005
9	Guide roller /85	640.003.110
10	Folding pin	640.003.112

