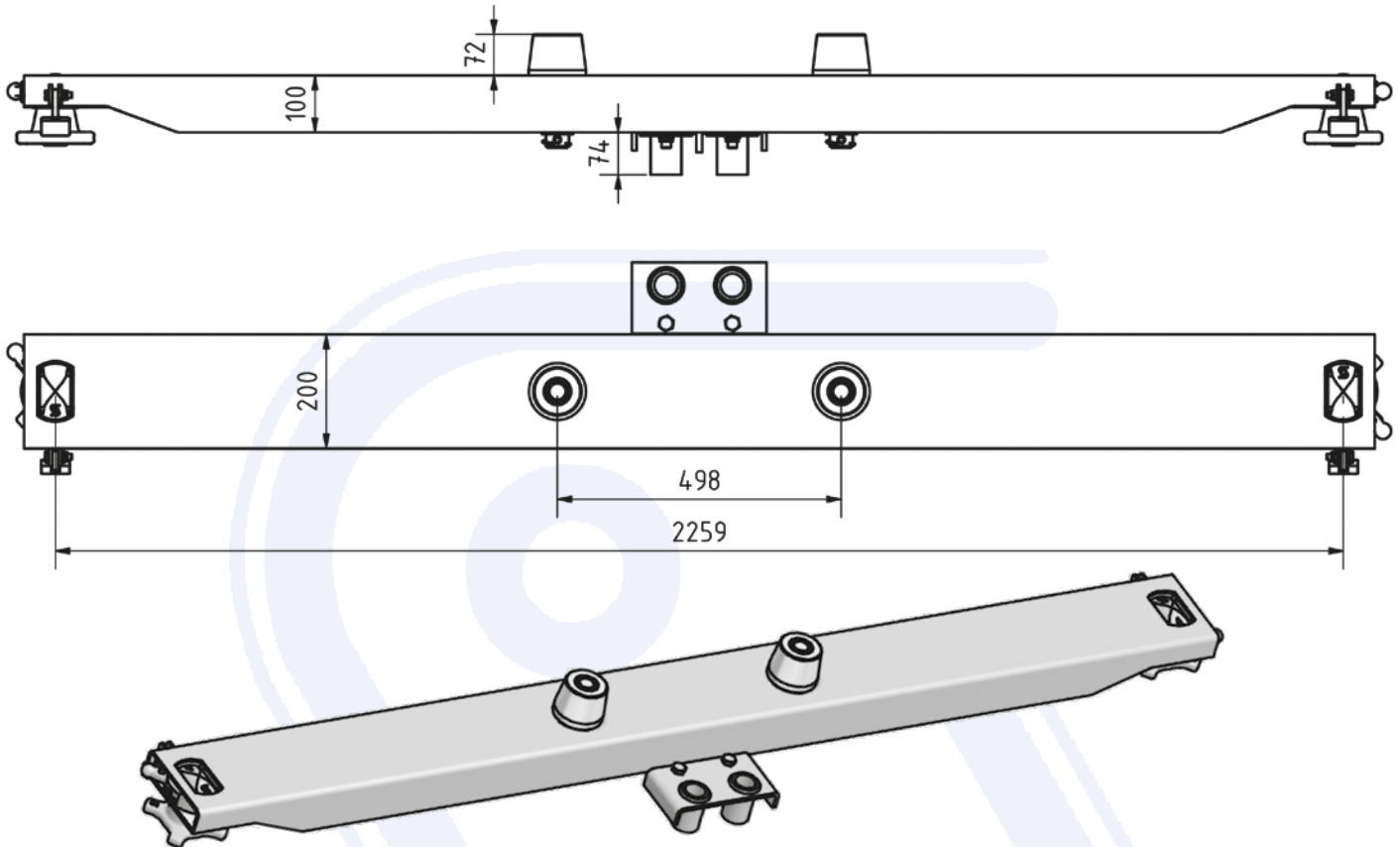


Swap body bolster rigid 200 x 100



- > steel raw
- > 1 twist lock on each side (*galvanised inner parts 410.075.620*)
- > **with 2 galvanised guide rollers**, incl. empty storage
- > bolster 100 mm high
- > weight 90 kg

Art.-No. 410.088.400



Pos.	Single part	Art.-NO.
1	Bolster	410.088.402
2	Locking pin	906.000.276
3	Locking pin guide	906.000.273
4	Outer guide	906.000.274
5	Locking nut	906.000.275
6	Security ring	905.000.187
7	Security latch compl.	905.159.035
8	Screw	410.088.005
9	Self-locking nut	650.011.014
10	Guide roller /100	640.003.125
11	Holder f. guide roller	640.003.001
12	Folding pin 12x55	640.003.112

