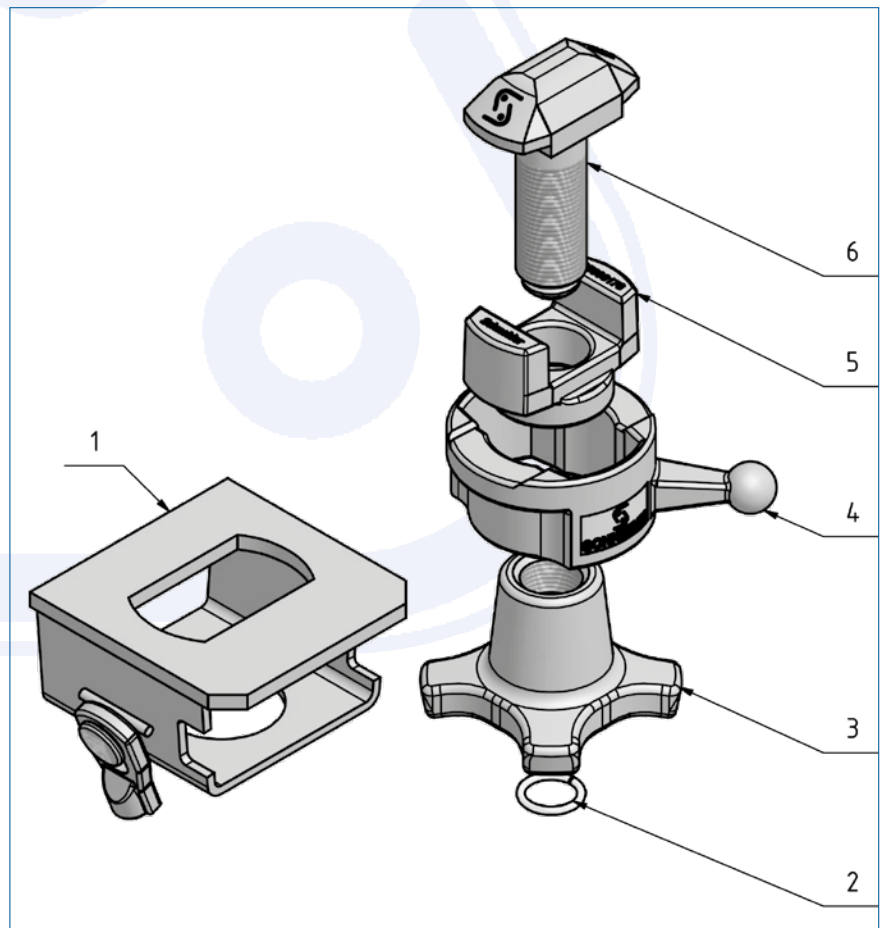
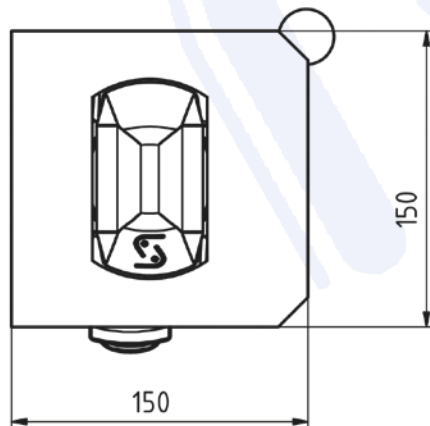
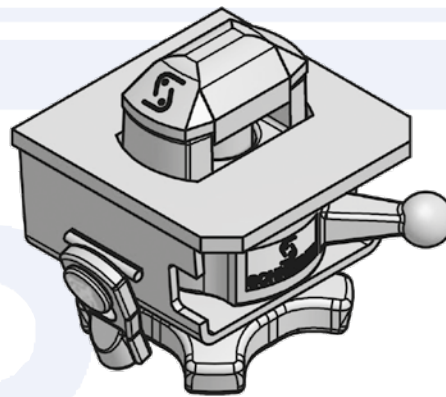
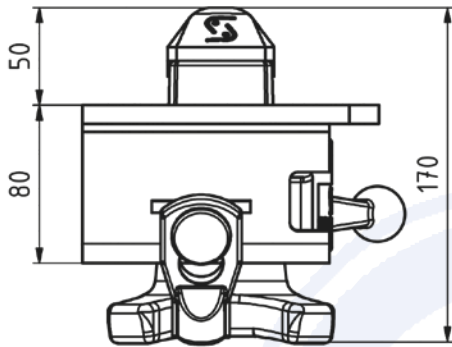


Twist lock fully retractable

- > for ISO standard container and swap systems
- > **with 38 mm locking pin and security ring**
- > steel housing raw for welding on, all inner parts are galvanized and not installed
- > 150 x 150 x 170 mm
- > limited suitability for hot-dip galvanising
- > weight 10 kg



Art.-No. 905.198.000



Pos.	Single part	Art.-No.
1	Housing	906.198.000
2	Security ring	905.000.190
3	Locking nut	905.000.127
4	Outer guide	905.000.177
5	Locking pin guide	905.000.178
6	Locking pin	905.000.137