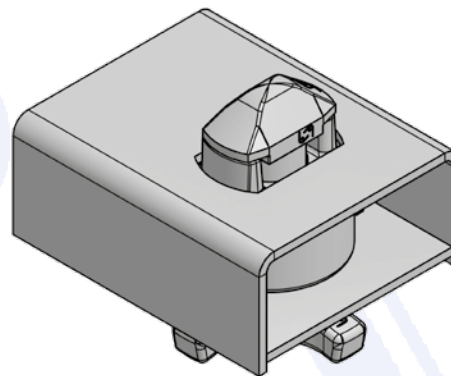
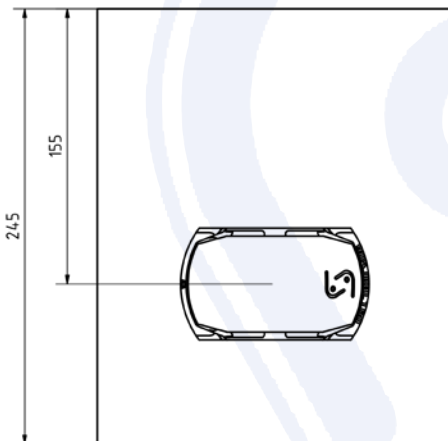
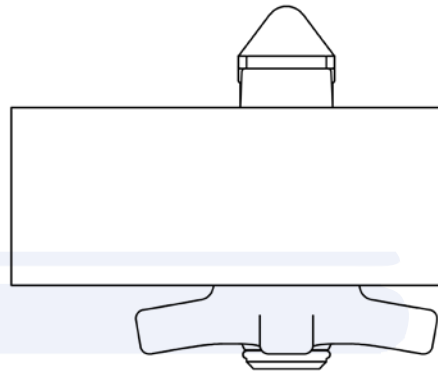
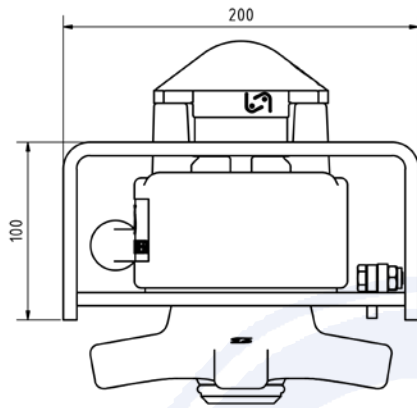


Twist lock fully retractable

- > for platform chassis in acc. with ISO-norm
- > **with 52 mm locking pin and security ring**
- > steel housing raw for welding on, all inner parts are galvanized and not installed
- > 245 x 200 x 205 mm
- > weight 17 kg



Art.-No. 905.202.300



Pos.	Single part	Art.-No.
1	Housing	906.202.300
2	Screw M8x20	650.013.009
3	Security latch	411.670.003
4	Self-locking nut M8	640.008.008
5	Security ring	905.000.187
6	Locking nut	905.000.072
7	Safety washer	905.000.188
8	Outer guide	905.000.160
9	Locking pin guide	905.000.161
10	Locking pin	905.000.213

