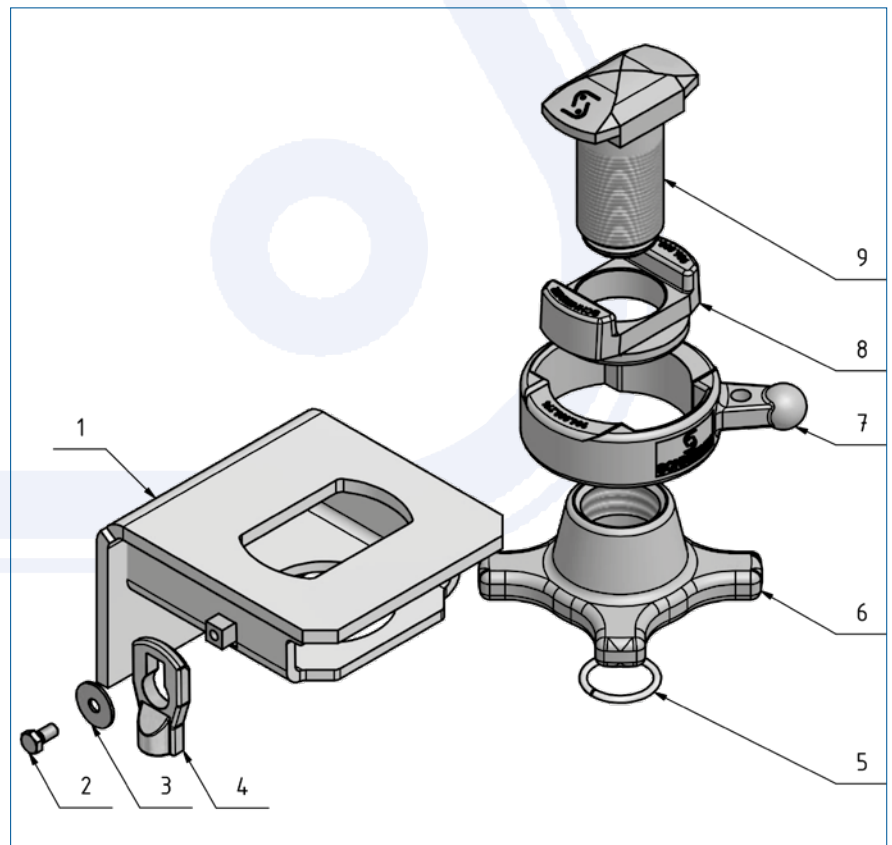
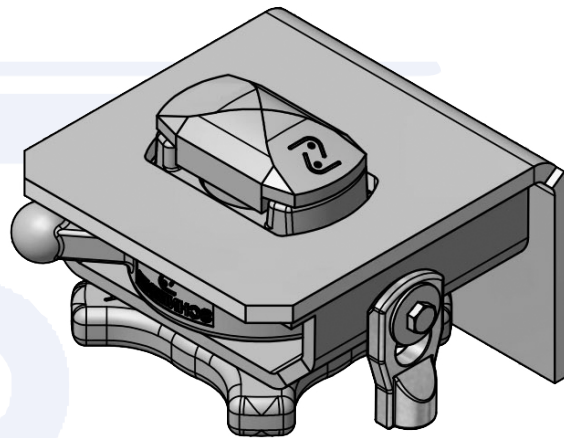
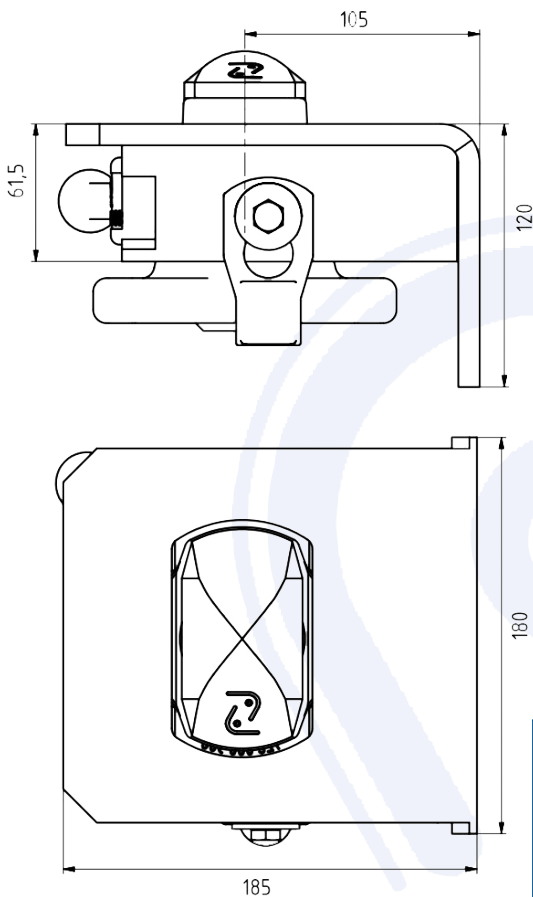


Twist lock fully retractable

- > for swap systems left hand side
- > **with 52 mm locking pin and security ring**
- > steel housing raw for welding on, all inner parts are galvanized and not installed
- > 180 x 185 x 160 mm
- > **with back plate** 120 mm
- > weight 11 kg

Art.-No. 905.237.501



| Pos. | Single part | Art.-No. |
|------|-------------------|-------------|
| 1 | Housing left | 906.274.011 |
| 2 | Screw M8x16 | 020.008.016 |
| 3 | Safety washer | 905.036.005 |
| 4 | Security latch | 905.159.005 |
| 5 | Security ring | 905.000.187 |
| 6 | Locking nut | 906.000.275 |
| 7 | Outer guide | 906.000.274 |
| 8 | Locking pin guide | 906.000.273 |
| 9 | Locking pin | 906.000.276 |