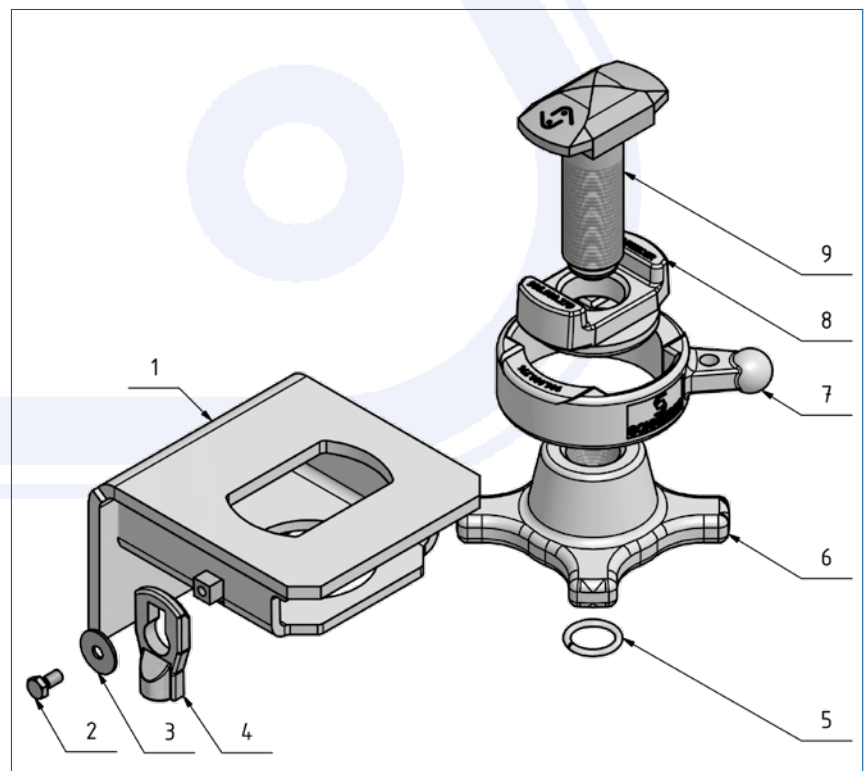
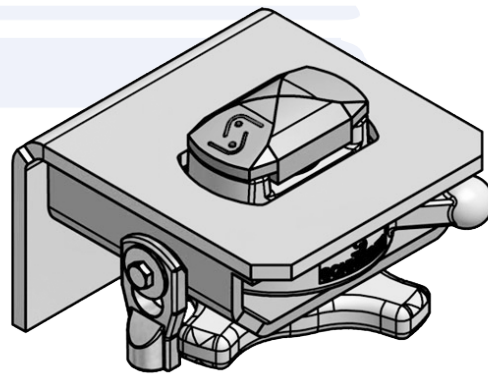
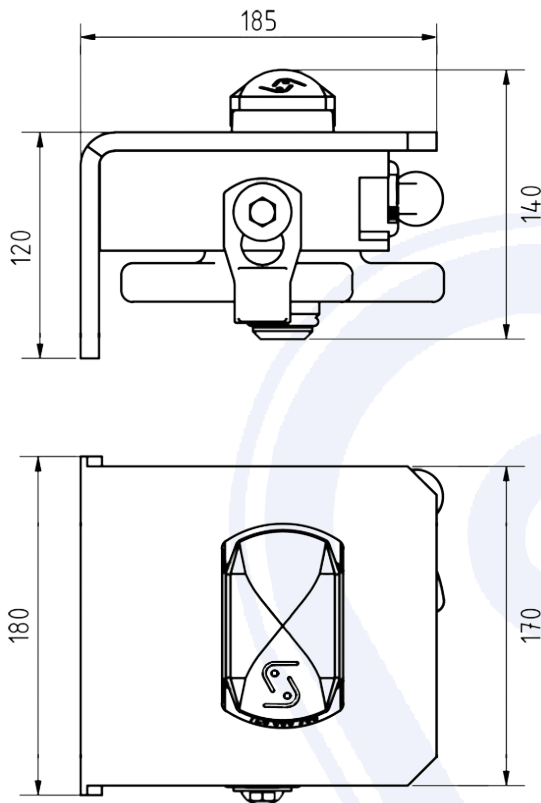


# Twist lock fully retractable

- > for ISO standard container and swap systems right hand side
- > **with 38 mm locking pin and security ring**
- > steel housing raw for welding on, all inner parts are galvanized and not installed
- > 180 x 185 x 166 mm
- > **with back plate** 120 mm
- > weight 11 kg

**Art.-No. 905.237.805**



Pos.	Single part	Art.-No.
1	Housing left	906.274.011
2	Screw M8x16	020.008.016
3	Safety washer	905.036.005
4	Security latch	905.159.005
5	Security ring	905.000.190
6	Locking nut	906.000.278
7	Outer guide	906.000.274
8	Locking pin guide	906.000.279
9	Locking pin	905.237.901