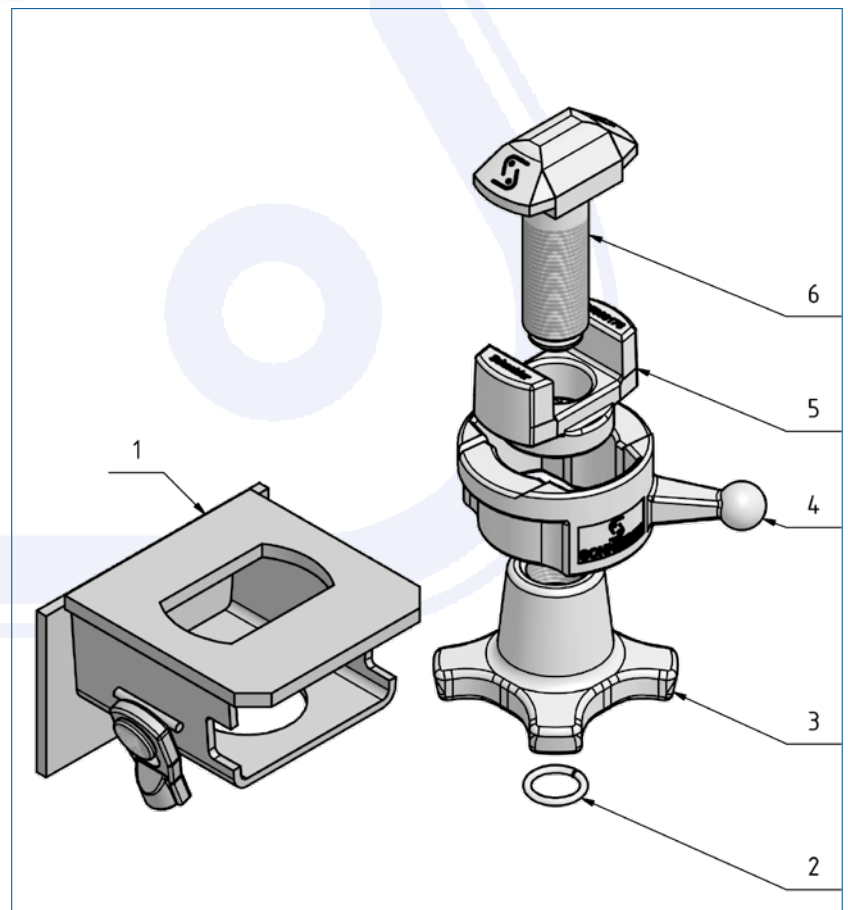
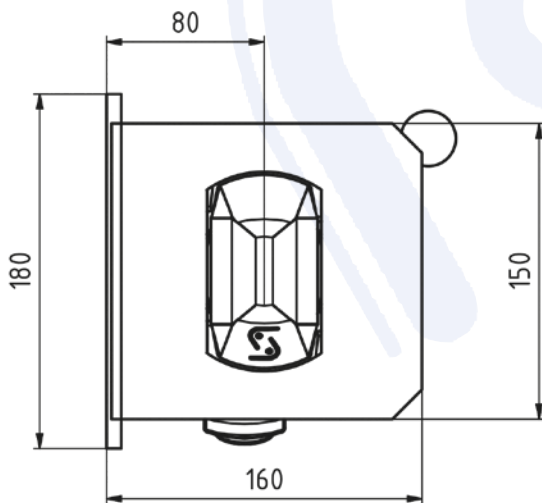
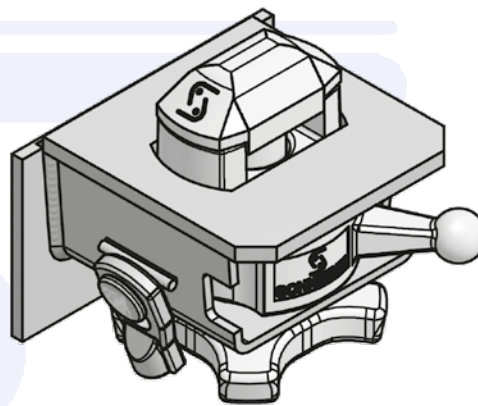
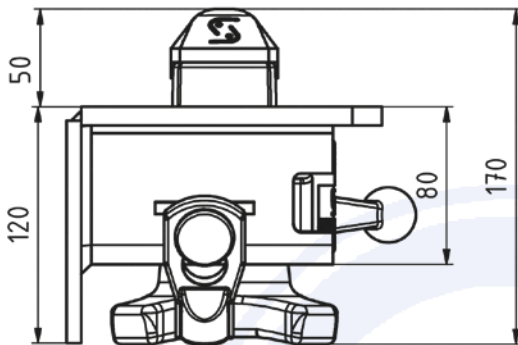


Twist lock fully retractable

- > for ISO standard container and swap systems
- > **with 38 mm locking pin and security ring**
- > steel housing raw for welding on, all inner parts are galvanized and not installed
- > 160 x 180 x 170 mm
- > **with back plate** 120 mm
- > limited suitability for hot-dip galvanising
- > weight 11 kg



Art.-No. 905.248.100



Pos.	Single part	Art.-No.
1	Housing	906.248.100
2	Security ring	905.000.190
3	Locking nut	905.000.127
4	Outer guide	905.000.177
5	Locking pin guide	905.000.178
6	Locking pin	905.000.137