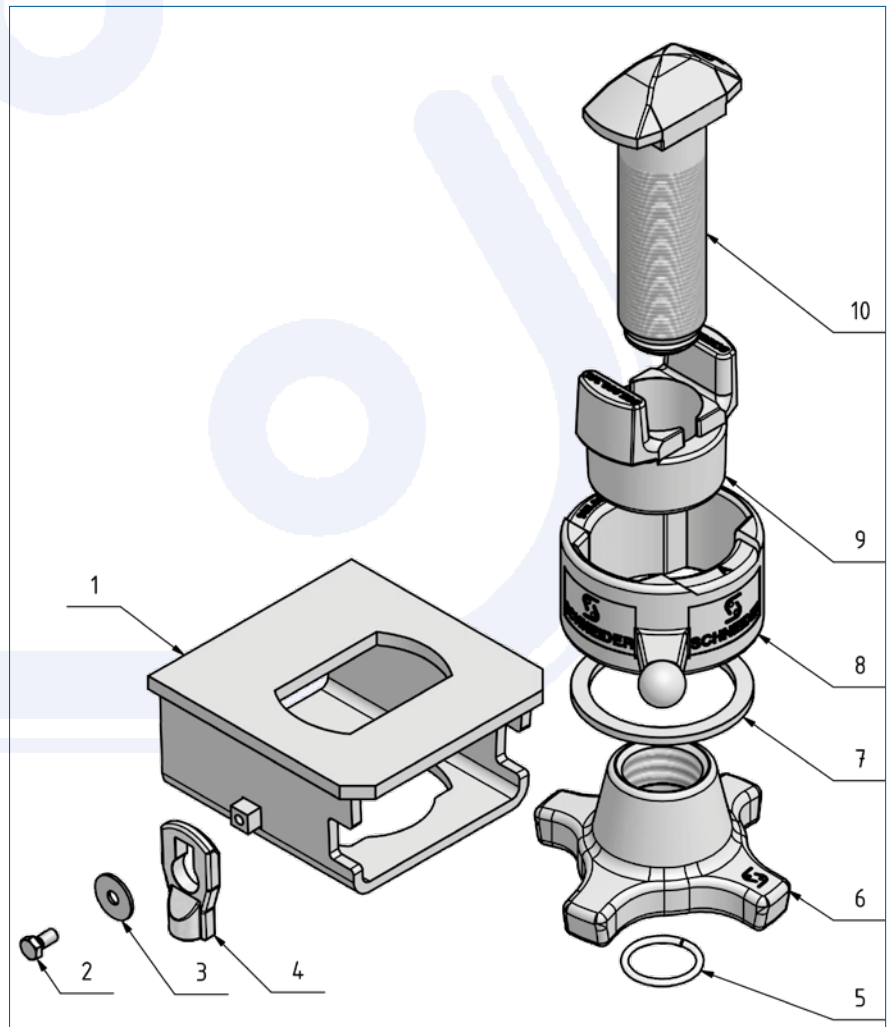
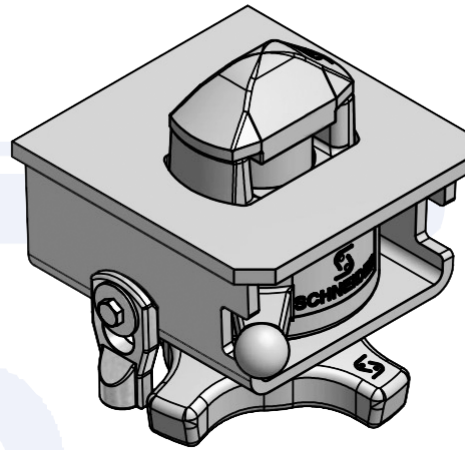
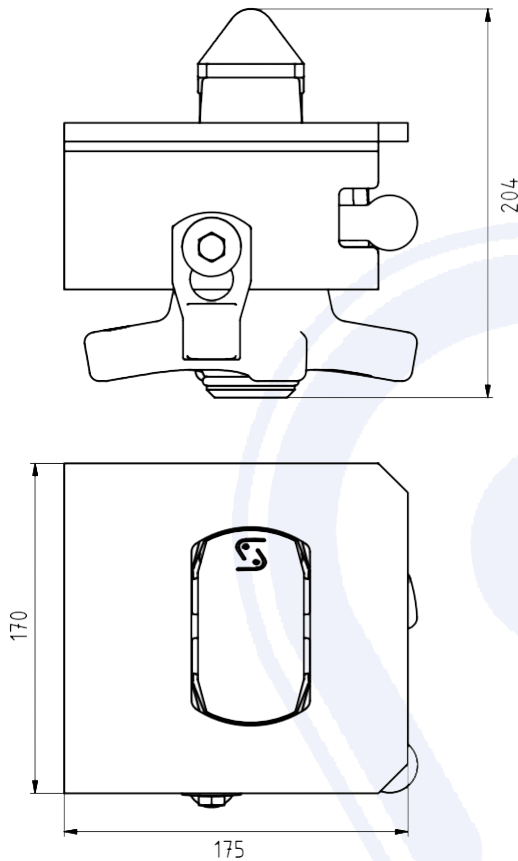


Twist lock fully retractable

- > for ISO standard container
- > with 52 mm locking pin and security ring
- > steel housing raw for welding on, all inner parts are galvanized and not installed
- > 170 x 175 x 204 mm
- > weight 14 kg



Art.-No. 905.294.801



Pos.	Single part	Art.-No.
1	Housing right	906.401.450
2	Screw M8x16	020.008.016
3	Safety washer	905.036.005
4	Security latch	905.159.005
5	Security ring	905.000.187
6	Locking nut	905.000.072
7	Safety washer	905.000.188
8	Outer guide	905.000.160
9	Locking pin guide	905.000.161
10	Locking pin	905.000.213