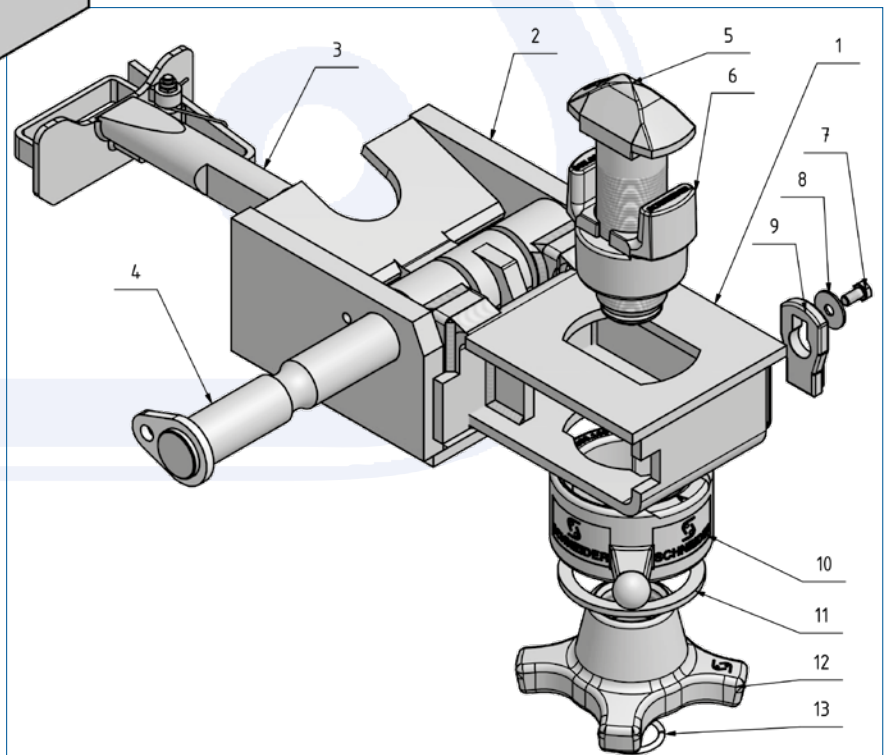
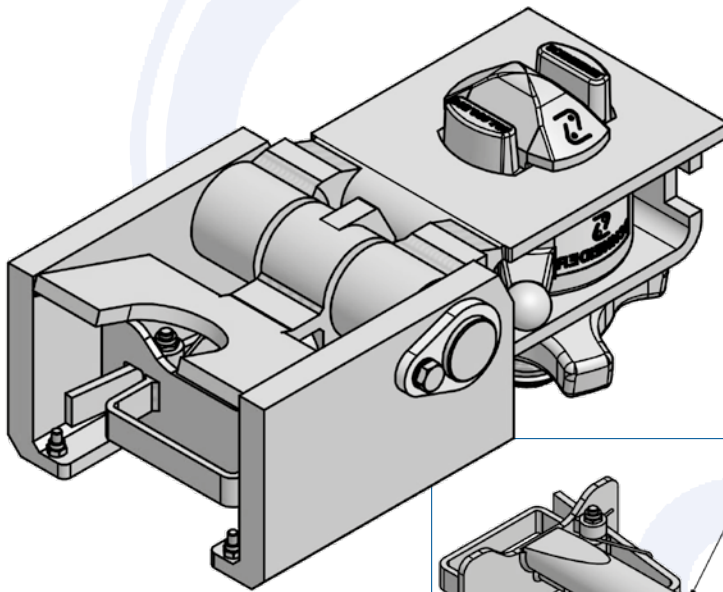
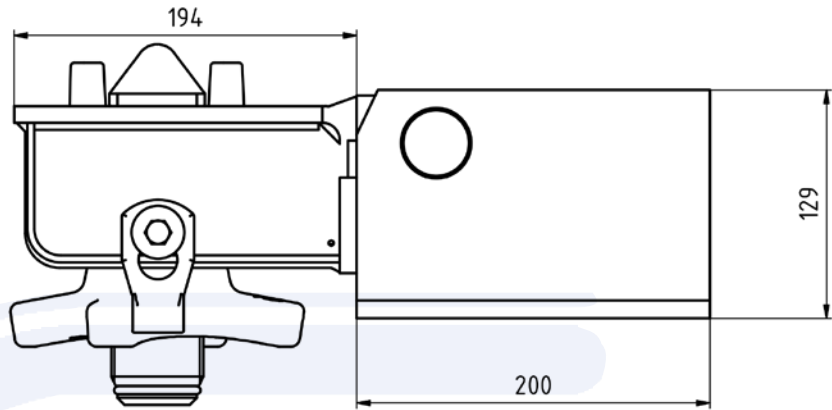


# Collapsible Twist lock fully retractable



- > combined twist lock for front mounting with gooseneck chassis
- > housing steel raw, locking parts galvanized
- > for 40' or 45' containers via front pin
- > for 40' and 20' standard containers via the collapsible twist lock
- > **left hand version**
- > weight 34 kg

Art.-No. 905.394.902



| Pos. | Spare part        | Art.-No.    |
|------|-------------------|-------------|
| 1    | Hinged part left  | 905.012.100 |
| 2    | Housing left      | 905.011.000 |
| 3    | Handle kpl. left  | 905.009.000 |
| 4    | Shaft             | 905.000.016 |
| 5    | Locking pin       | 905.000.213 |
| 6    | Locking pin guide | 905.000.161 |
| 7    | Screw             | 020.008.016 |
| 8    | Washer            | 905.031.000 |
| 9    | Security latch    | 905.159.005 |
| 10   | Outer guide       | 905.000.160 |
| 11   | Spacer ring       | 905.000.188 |
| 12   | Locking nut       | 905.000.072 |
| 13   | Security ring     | 905.000.187 |