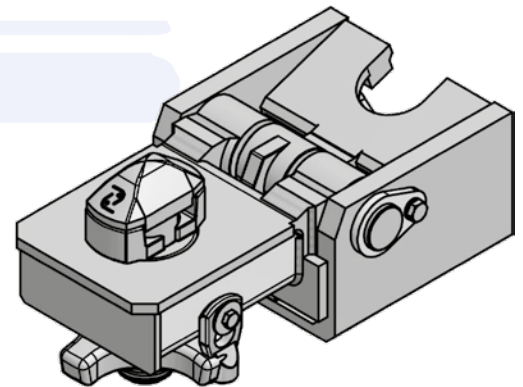
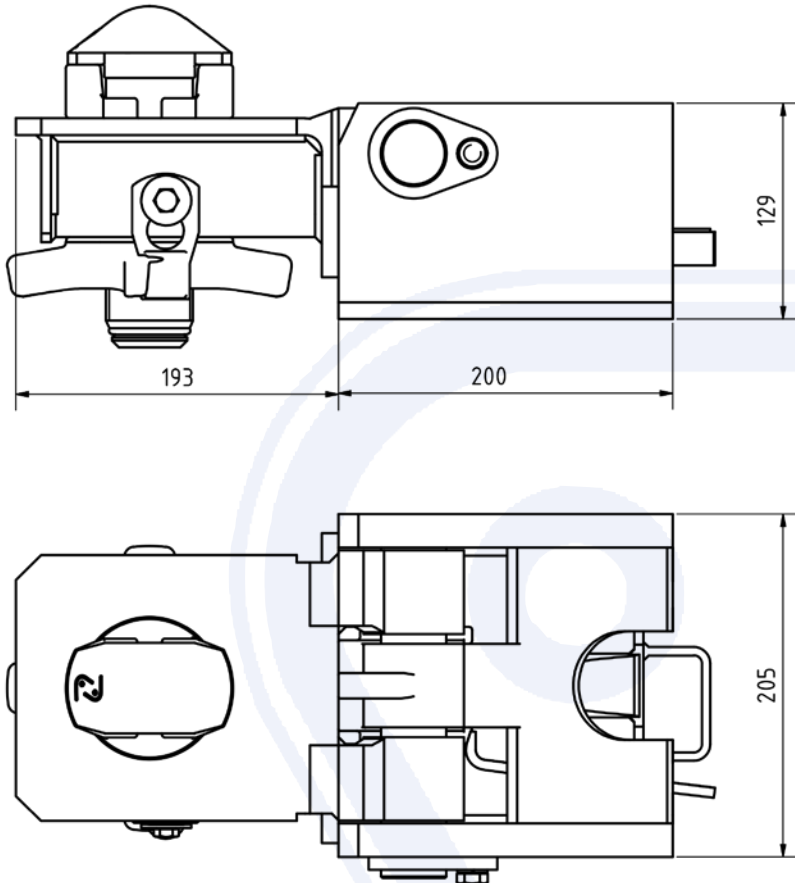


Collapsible Twist lock rigid

- > combined twist lock for front mounting with gooseneck chassis
- > housing steel raw, locking parts galvanized
- > for 40' or 45' containers via front pin
- > for 40' and 20' standard containers via the collapsible twist lock
- > **left hand version**
- > weight 34 kg



Art.-No. 905.394.950



Pos.	Spare part	Art.-No.
1	Housing passenger side	905.025.100
2	Hinged part passenger side	905.024.001
3	Handle kpl.	905.027.000
4	Shaft	905.000.016
5	Locking pin	905.000.213
6	Locking nut	905.000.098
7	Security ring	905.000.187
8	Screw	020.008.016
9	Washer	905.036.005
10	Security latch	905.159.005

