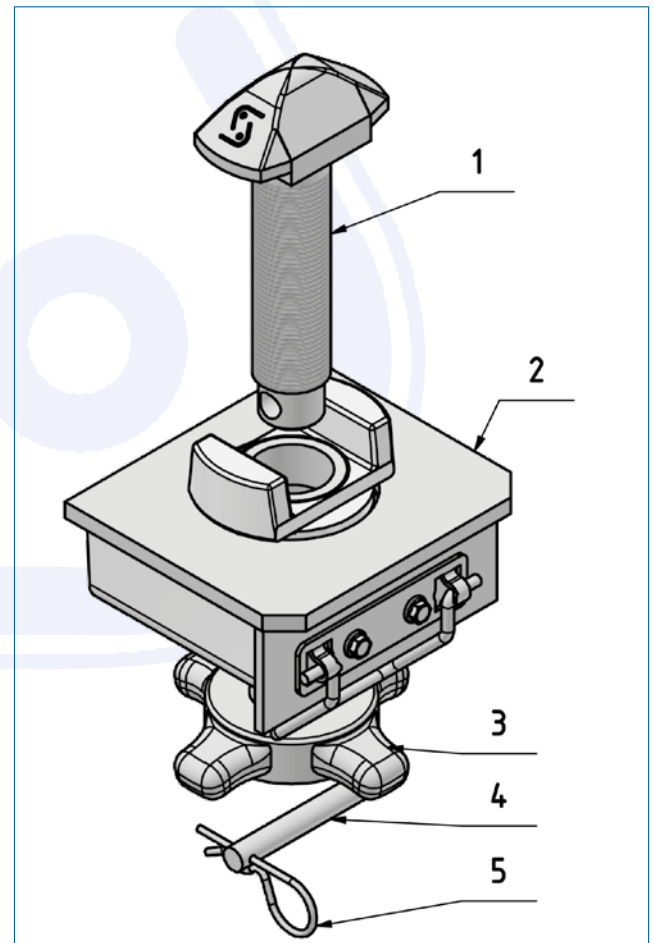
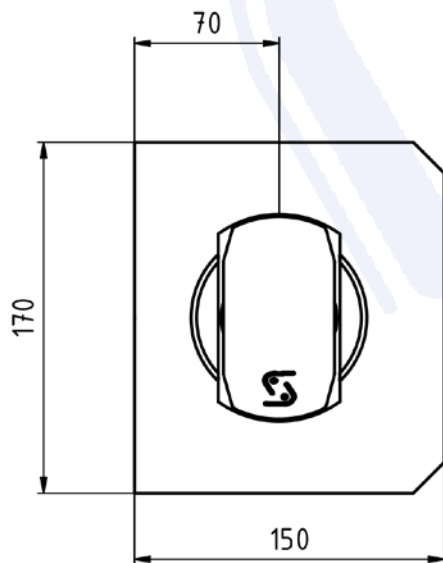
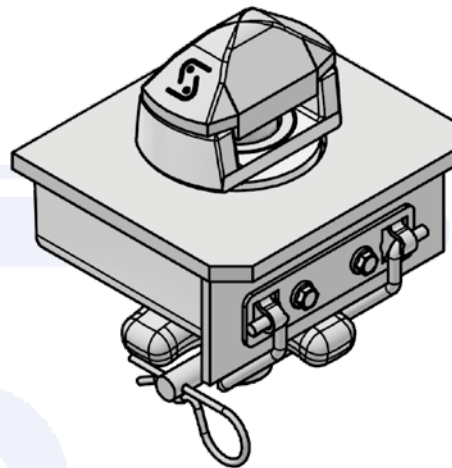
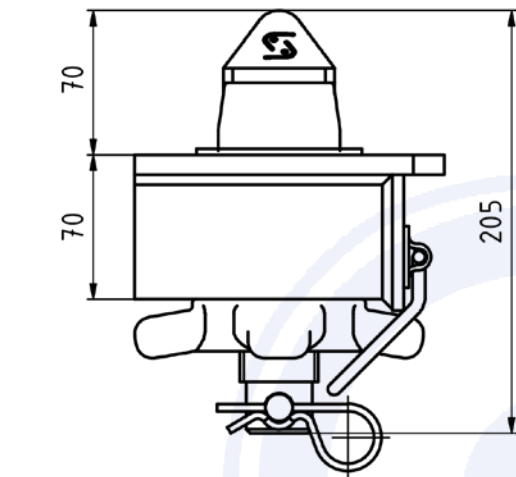


Twist lock rigid (non retractable)

- > for ISO standard container
- > with 38 mm locking pin and lever
- > steel, for welding on, all inner parts are galvanized and not installed
- > 150 x 170 x 205 mm
- > weight 7 kg



Art.-No. 905.199.000



Pos.	Single part	Art.-No.
1	Locking pin	905.000.138
2	Housing	906.199.000
3	Locking nut	905.000.077
4	Toggle	905.000.129
5	Cotter pin	649.135.002