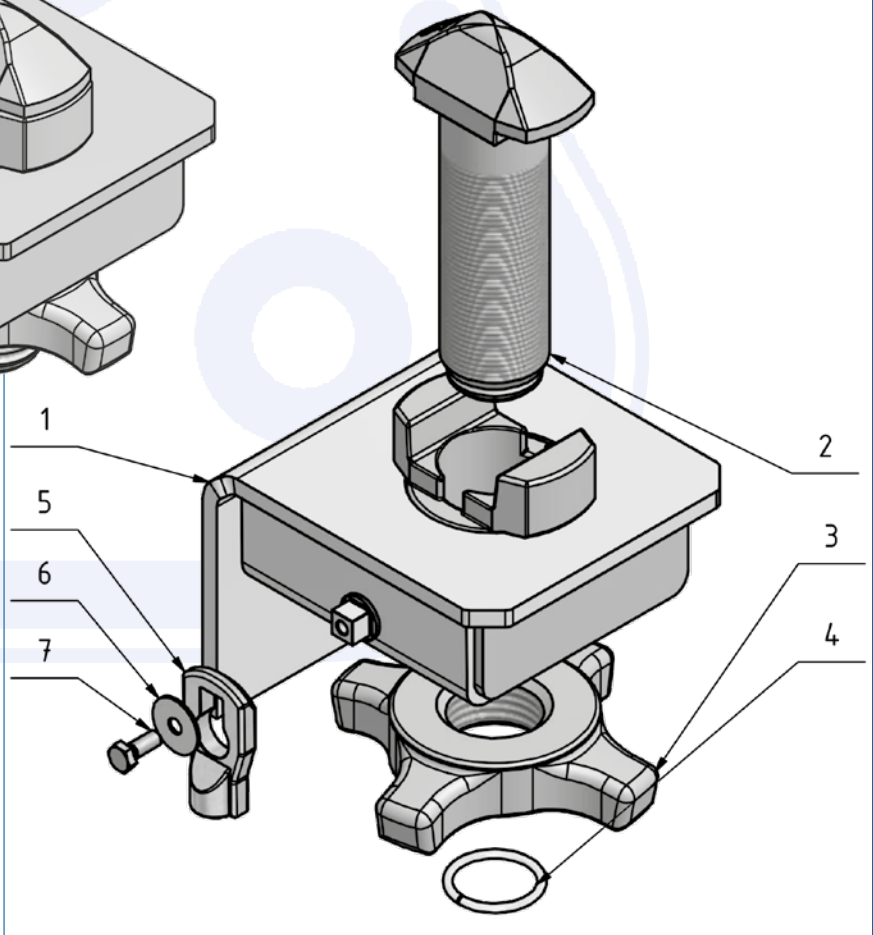
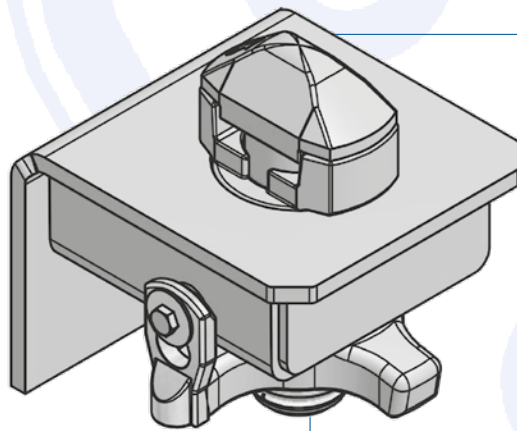
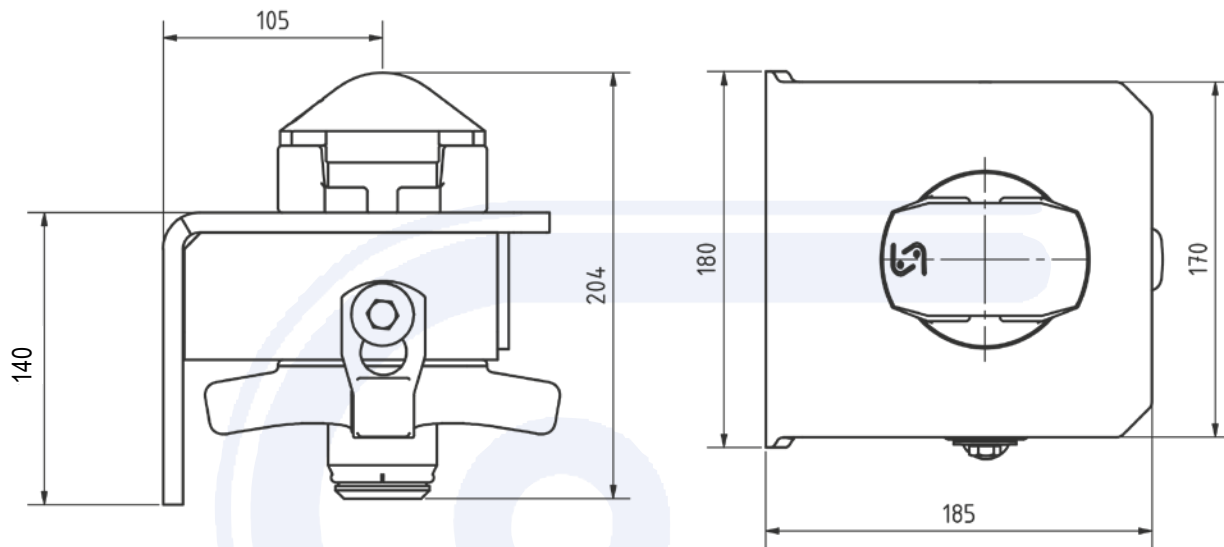


Twist lock rigid (non retractable)

- > for ISO standard container
- > **with 52 mm locking pin and security ring**
- > steel housing raw, for welding on, **with back plate** 140 mm
- > all inner parts are galvanized and not installed
- > locking pin guide rotated by 90°
- > 180 x 185 x 204 mm
- > weight 13 kg



Art.-No. 905.233.310



Pos.	Single part	Art.-No.
1	Housing	906.402.010
2	Locking pin	905.000.213
3	Locking nut	905.000.088
4	Security ring	905.000.187
5	Security latch	905.159.005
6	Safety washer	905.036.005
7	Screw	020.008.016