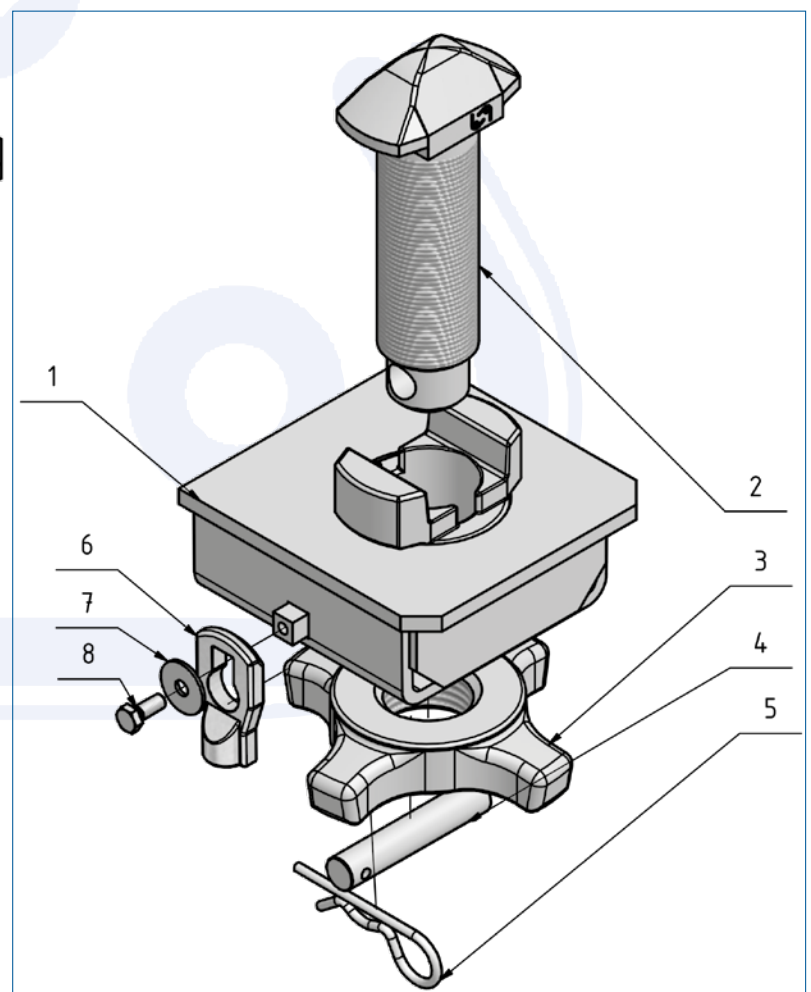
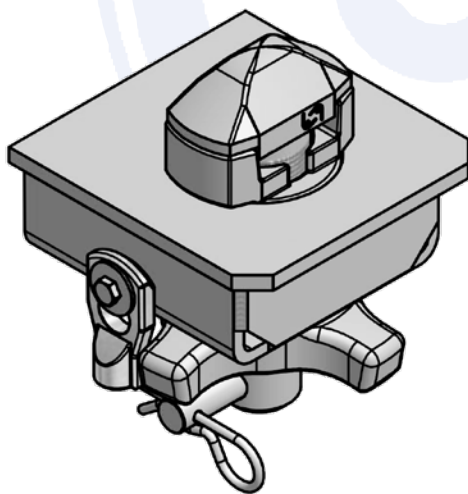
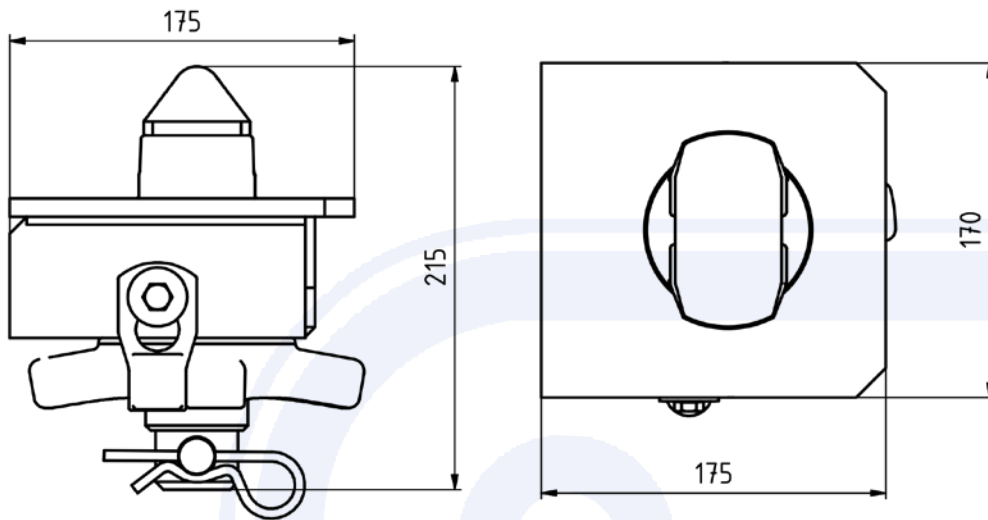


Twist lock rigid (non retractable)

- > for ISO standard container
- > with 52 mm locking pin and lever
- > steel housing raw for welding on
- > all inner parts are galvanized and not installed
- > 170 x 175 x 215 mm
- > weight 11 kg



Art.-No. 905.233.505



Pos.	Spare part	Art.-No.
1	Housing	906.502.405
2	Locking Pin	905.000.051
3	Locking nut	905.000.088
4	Toggle	905.000.093
5	Cotter Pin	649.135.001
6	Security latch	905.159.005
7	Washer	905.036.005
8	Bolt	020.008.016