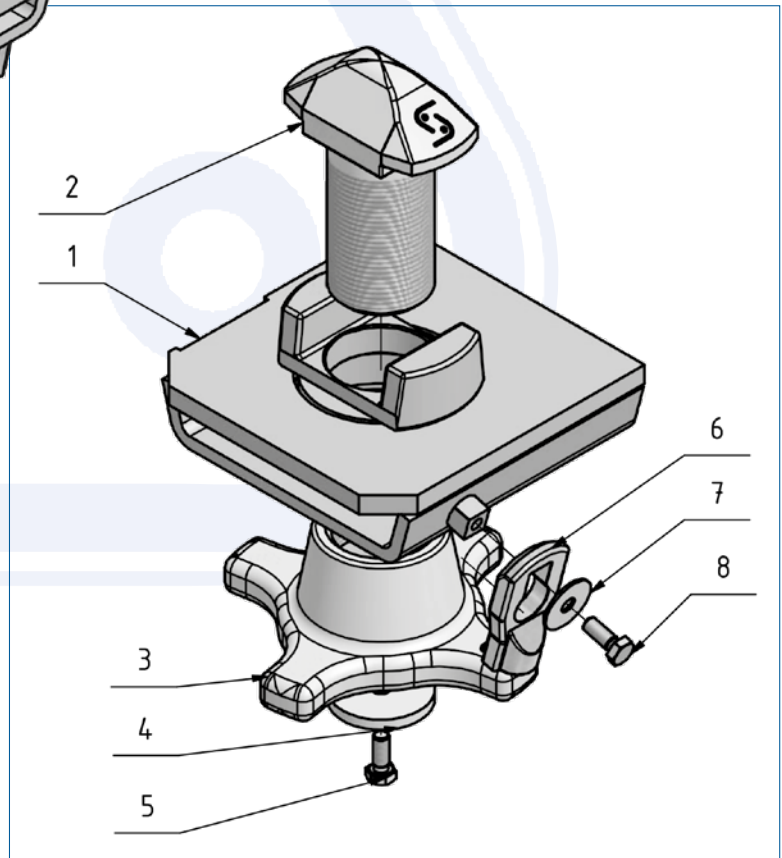
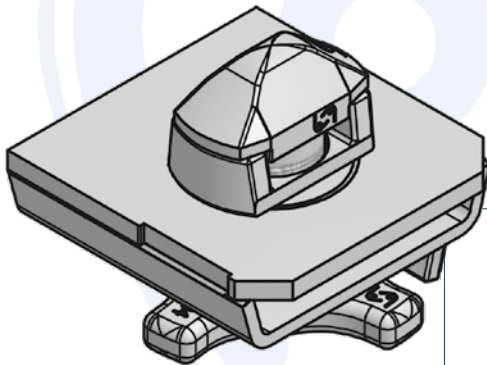
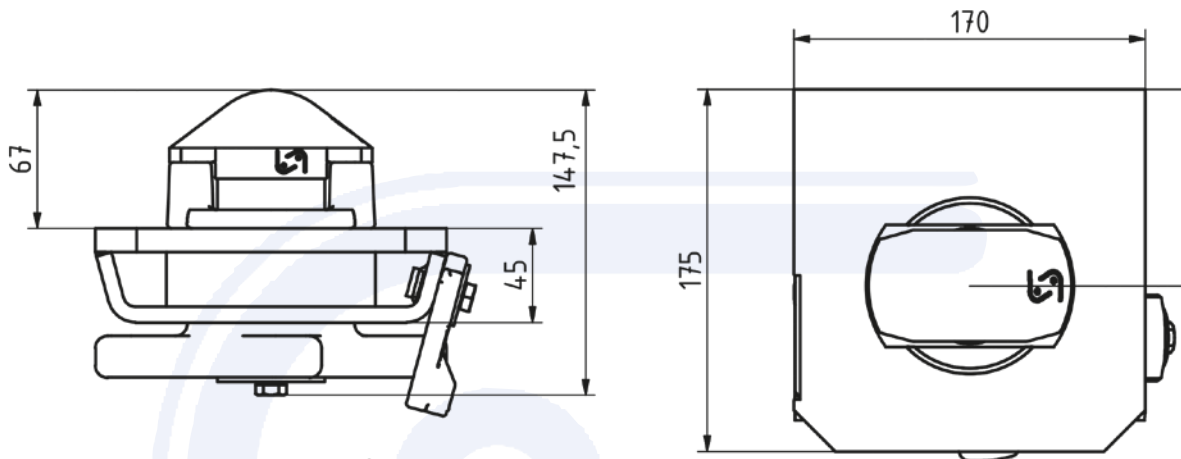


Twist lock rigid (non retractable)

- > for ISO standard container
- > **with 52 mm locking pin and screw lock**
- > steel housing raw, for welding on, all inner parts are galvanized and not installed
- > 170 x 175 x 147,5 mm
- > **security latch right hand side**
- > weight 10 kg



Art.-No. 905.250.001



Pos.	Single part	Art.-No.
1	Housing right	906.250.001
2	Locking pin	905.008.005
3	Locking nut	906.000.275
4	Safety washer	905.008.007
5	Screw	020.008.016
6	Security latch	905.159.005
7	Safety washer	905.036.005
8	Screw	020.008.016