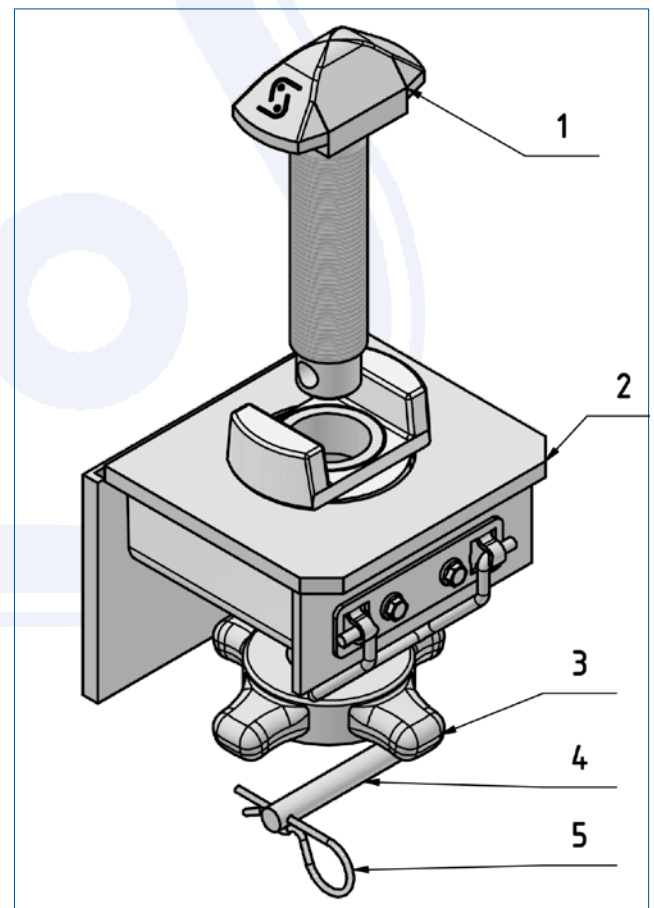
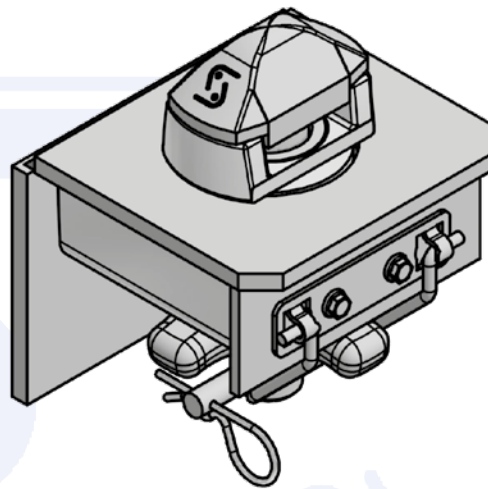
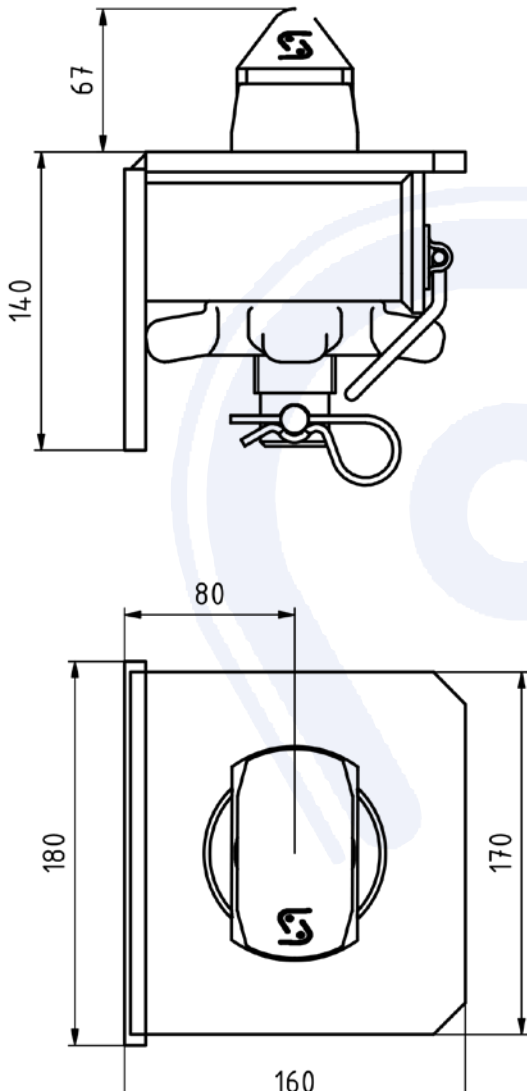


# Twist lock rigid (non retractable)

- > for ISO standard container
- > with **38 mm locking pin** and **security ring**
- > steel, for welding on, all inner parts are galvanized and not installed
- > with **back plate** 140 mm
- > 150 x 180 x 191 mm
- > weight 9 kg



Art.-No. 905.306.000



Pos.	Single part	Art.-No.
1	Locking pin	905.000.138
2	Housing	906.306.000
3	Locking nut	905.000.077
4	Toggle	905.000.129
5	Cotter pin	649.135.002